

MADE
IN
ITALY



Defender[®]
The first



safeguarding your security

Mottura has a name for
the cylinder protectors,
we call them
Defender®.



safeguarding your security



The **original** cylinder lock protectors by **Mottura**.

With the diffusion of European profile lock cylinders, consumer attention for lock security has achieved full maturity. Concepts such as anti-bumping protection or the Bulgarian pick have become part of the common language in hardware stores and DIY-centres. This phenomenon is giving specialised dealers the chance to offer their customers a wide range of flexible solutions that range from high security cylinders to external security devices.

Mottura, who has been convinced of the importance of the Defender systems from the very beginning (so much so that it gave them their name), presents the complete range of cylinder lock protectors, featuring high level technology and maximum flexibility in their application. All this confirms the Mottura brand as industry leader.

Available in different models, from the fully tested Top System on up to the magnetic and electronic versions, in standard or adjustable sizes, these locks have been designed to work on every existing door.

With eight different finishes and seven different internal protection systems, which can be variably combined at different levels featuring two keyway sizes and two different diameters for the mounting screws, the new **Mottura Defender® lock Protectors** are the most flexible and up-to-date solution on the market.

Defender[®], active protection.

The **Mottura Defender[®]** European cylinder lock protectors are sophisticated active mechanisms, whose design performance, with attention to every detail, stops break-ins. Each of the **7 security systems** was devised to prevent localized action by an external agent used to disable locks such as disk grinders, drills, pliers, milling cutters or iron pipes. Steel balls and pins have been strategically arranged to deflect drill bits, to protect the keyway and to prevent the Defender's cylinder body from rotating. Shutters are made with an exceptionally hard metal, manganese.



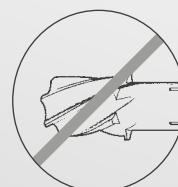
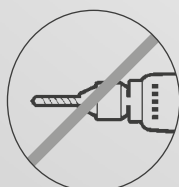
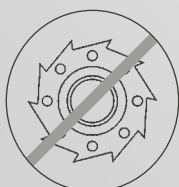
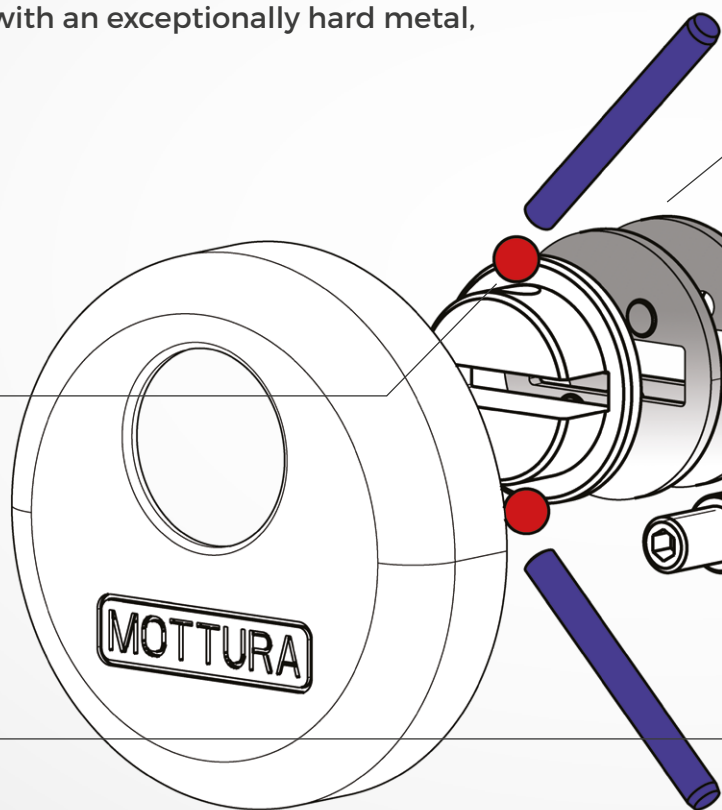
● ● WASHER BALLS

Two balls on the chrome plated washer to protect the keyway and the cylinder rotor body



● ● STATOR BALLS

Two steel balls protect the cylinder body



 **MANGANESE PLATE**

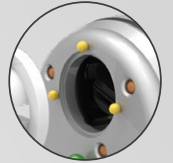
A manganese plate provide complete protection of the cylinder body

 **MANGANESE KEYWAY PLATES**

Two rotating manganese plates protect the keyway.

 **FRONT AND REAR BALLS**

Six balls are an integral part of the body of the Defender®

 **POSITION MARKER**

A ball, mounted on a set screw with a spring, acts as a position marker

 **ESCUTCHEON PINS**

Four pins protect the escutcheon



Contents

Mottura Defender® protectors feature increasing security grades that contribute to defining **5 progressive levels of security**, plus a **“premium”** category with innovative “Magnetic” and “Electronic” Defenders®.

Below, each model is illustrated by level in a table of contents that also works as a comparison table.

Each level contains a suggested scope.

Level 1

Level 1 Defender® protectors are recommended for the protection of locks for cellars and technical doors.

Page 50
Defender® **T.ZETA**
Defender® **B.ZETA**



Level 2

Level 2 Defender® protectors are recommended for the protection of gates and doors to technical areas.

Page 8
Defender® DF03.. **VERSION A/B**

Page 12
Defender® DF05.. **VERSION A/B**

Page 16
Defender® DF07.. **VERSION A/B**

Page 20
Defender® DF09.. **VERSION B**

Page 26
Defender® DF11.. **VERSION B**

Page 38
Defender® **LEVEL**
Defender® **BASIC**
Defender® **BASIC DIERRE**



Level 3

Level 3 Defender® protectors are recommended for the protection of building entrances.

Page 8
Defender® DF03.. **VERSION C/E**

Page 12
Defender® DF05.. **Version C/E**

Page 16
Defender® DF07.. **VERSION C/E**

Page 20
Defender® DF09.. **VERSION C**

Page 26
Defender® DF11.. **VERSION C**



Level 4

Level 4 Defender® protectors are recommended for the protection of entrance doors to apartments, storerooms and professional offices.

Page.....8
Defender® DF03.. VERSION F
Page12
Defender® DF05.. VERSION F
Page.....16
Defender® DF07.. VERSION F
Page.....20
Defender® DF09.. VERSION D/E/F
Page.....26
Defender® DF11.. VERSION D/E/F



Level 5

Level 5 Defender® protectors are recommended for the protection of entrance doors to apartments, storerooms, businesses and professional offices.

Page.....20
Defender® DF09.. VERSION G/H
Page.....26
Defender® DF11.. VERSION G/H
Page.....46
Defender® TOP SYSTEM



Premium

The Defender® Premium protectors are recommended for the protection of all types of entrances from apartments to large companies.

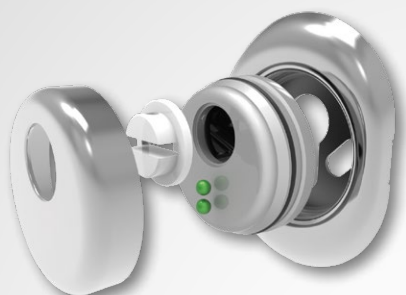
Page.....30
Defender® DF301 MAGNETIC
Page.....34
Defender® DF501 ELECTRONIC

DF03

DF031 / 032 / 033 / 034

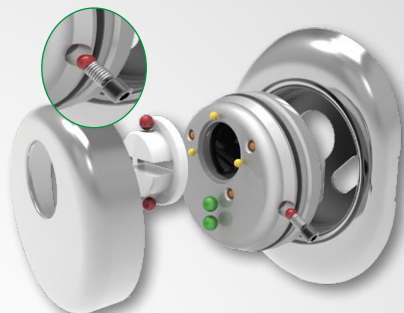
This is the **SIMPLE Defender®**, available in **4 different THICKNESSES** with **5 security VERSIONS (A/B/C/E/F)**. Perfect for replacing existing or previous protections if you already know the door thickness.

A



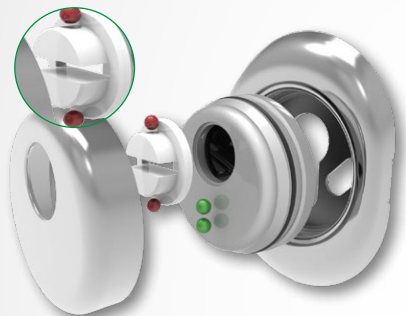
Two steel balls protect the cylinder body
Two steel balls protect the fixing screws

E



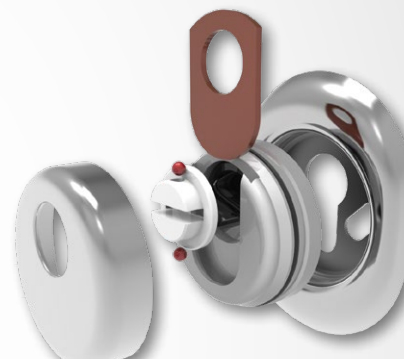
A position marker is added to version C

B



To version A, two balls are added to the chromed washer to protect the keyway and the cylinder body rotor

F



Two balls on the chromed washer
+ a manganese plate provide complete protection of the Defender® cylinder body

C

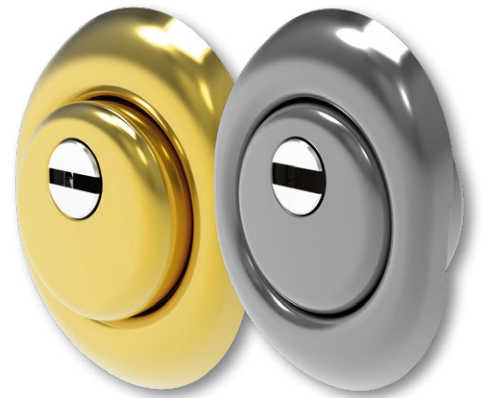


To version B, six balls are added as an integral part of the Defender® body

The **DF03** protector (DF031/032/033/034) consists of a steel **Defender®** with an integrated metal escutcheon (70 x 90 mm), available in **4 thicknesses** and **5 security versions** for each type.

The cover of the **Defender®** and the aluminium/brass escutcheon make **8 different finishes** available for the best possible match with existing handles and knobs.

A rotating chromed washer protects the keyway with a slot available in **two sizes, 3.5 or 5 mm**.



Available with M6 or M8 fixing screws (art. DF031...M8)
Centre distances 26-38 mm - fixing screws included.



STATOR BALLS

Two steel balls protect the cylinder body

8 Finishes

Brass, Chrome, Satin Chrome, Gold, Anodized Silver, Anodized Bronze, Black with chromed washer and PVD Gold with PVD gold washer.



OT
Brass



CR
Polished Chrome



PV
PVD Gold



CS
Satin Chrome



AA
Anod. Silver



P
Gold



B
Anod. Bronze

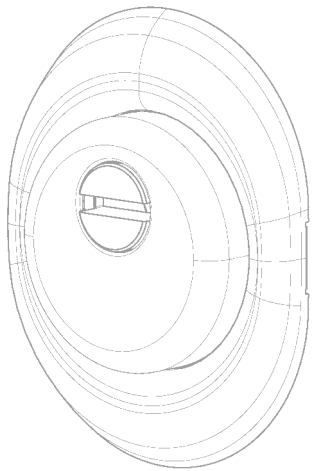


N
Black

Specifications

	A rotating chromed washer protects the keyway with a slot available in two sizes, 3.5 or 5 mm.		All the versions feature two steel balls to protect the fixing screws
	Available with M6 or M8 fixing screws		Possibility of selecting the keyway washer with position marker (LEVEL E)
	Neutral or Mottura branded escutcheons are available		

DF03 4 Altezze | 5 Versioni | 8 Finiture



A	B	C
Two steel balls to protect the cylinder body + Two steel balls to protect the fixing screws	To version A, two balls are added to the chromed washer to protect the keyway and the cylinder body rotor	To version B, six balls are added as an integral part of the Defender® body
● ●	● ● ● ●	● ● ● ● ● ● + ● ●

DF031.. th. → < 5 mm		DF032.. th. → < 10 mm		Finish		Finish		Finish	
				DF031	DF032	DF031	DF032	DF031	DF032
		Brass		Brass		Brass			
		Black		Black		Black			
		Chrome Plated		Chrome Plated		Chrome Plated			
		Satin Chrome		Satin Chrome		Satin Chrome			
		Gold		Gold		Gold			
		Anodised Silver		Anodised Silver		Anodised Silver			
		Anodised Bronze		Anodised Bronze		Anodised Bronze			
		PVD Gold		PVD Gold		PVD Gold			

DF033.. th. → < 14 mm		DF034.. th. → < 19 mm		Finish		Finish		Finish	
				DF033	DF034	DF033	DF034	DF033	DF034
		Brass		Brass		Brass			
		Black		Black		Black			
		Chrome Plated		Chrome Plated		Chrome Plated			
		Satin Chrome		Satin Chrome		Satin Chrome			
		Gold		Gold		Gold			
		Anodised Silver		Anodised Silver		Anodised Silver			
		Anodised Bronze		Anodised Bronze		Anodised Bronze			
		PVD Gold		PVD Gold		PVD Gold			

- ● STATOR BALLS
- ● WASHER BALLS
- ● + ● ● FRONT AND REAR BALLS
- Wavy Position Marker
- MANGANESE PLATE
- /// ESCUTCHEON PINS
- ○ MANGANESE KEYWAY PLATES



D	E	F	G	H
	A position marker is added to version C	Two balls on the chromed washer + a manganese plate provide complete protection of the Defender® cylinder body		

			Finish		Finish						
			DF031	DF032	DF031	DF032					
			Brass		Brass						
			Black		Black						
			Chrome Plated		Chrome Plated						
			Satin Chrome		Satin Chrome						
			Gold		Gold						
			Anodised Silver		Anodised Silver						
			Anodised Bronze		Anodised Bronze						
			PVD Gold		PVD Gold						

			Finish		Finish						
			DF033	DF034	DF033	DF034					
			Brass		Brass						
			Black		Black						
			Chrome Plated		Chrome Plated						
			Satin Chrome		Satin Chrome						
			Gold		Gold						
			Anodised Silver		Anodised Silver						
			Anodised Bronze		Anodised Bronze						
			PVD Gold		PVD Gold						

- STATOR BALLS
- WASHER BALLS
- FRONT AND REAR BALLS
- POSITION MARKER
- MANGANESE PLATE
- ESCUTCHEON PINS
- MANGANESE KEYWAY PLATES

DF05 - Spring-adjustable size

DF051 / 052

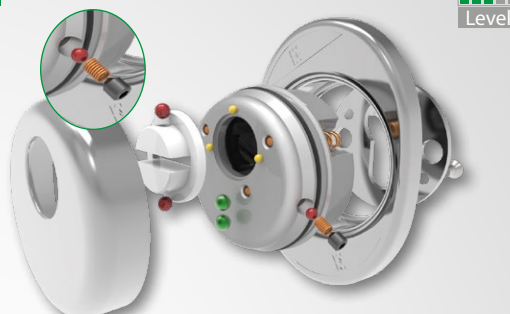
This is the **Defender® PRACTICAL** and **ADJUSTABLE**, available in **2 THICKNESSES** with **5 security VERSIONS (A/B/C/E/F)**. Thanks to a simple spring adjustment system, it is possible to compensate for size differences even if the precise thickness of the door panel is not known.

A



Two steel balls protect the cylinder body
Two steel balls protect the fixing screws

E



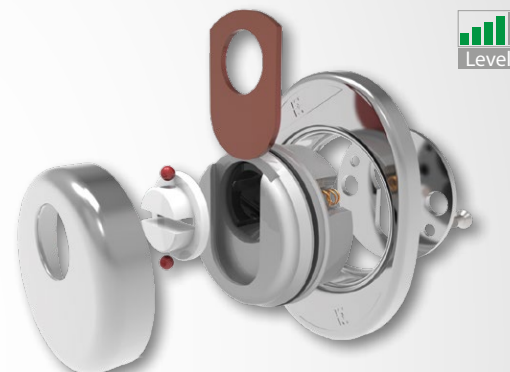
A position marker is added to version C

B



To version A, two balls are added to the chromed washer to protect the keyway and the cylinder body rotor

F



Two balls on the chromed washer
+ a manganese plate provide complete protection of the Defender® cylinder body

C



To version B, six balls are added as an integral part of the Defender® body

The protector **DF05** (DF051/052) with adjustable thickness consists of a steel **Defender®** with a sheet metal escutcheon (65 x 90 mm), available in **2 thicknesses** and **5 security versions** for each type.

The cover of the **Defender®** in aluminium/brass and the escutcheon make **6 different finishes** available for the best possible match with existing handles and knobs.

A rotating chromed washer protects the keyway with a slot available in **two sizes, 3.5 or 5 mm**.



Available with M6 or M8 fixing screws (art. DF051...M8)
Centre distance 38 mm - fixing screws included.

6 Finishes

Brass, Chrome Plated, Satin Chrome, Gold, the new Antique Bronze with chromed washer and PVD Gold with PVD gold washer.



OT
Brass



CR
Polished Chrome



PV
PVD Gold



CS
Satin Chrome



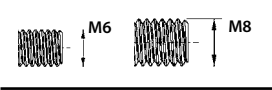




P
Gold

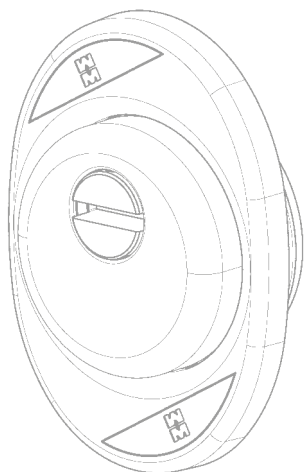


BA
Antique Bronze

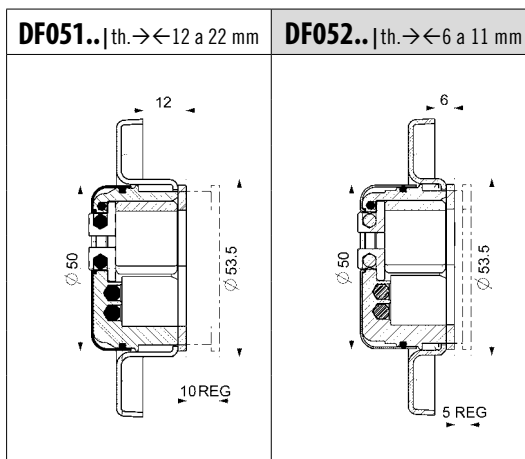
Specifications

	<p>A rotating chromed washer protects the keyway with a slot available in two sizes, 3.5 or 5 mm.</p>		<p>All the versions feature two steel balls to protect the fixing screws</p>
	<p>Available with M6 or M8 fixing screws</p>		<p>Possibility of selecting the keyway washer with position marker (LEVEL E)</p>
	<p>Neutral or Mottura branded escutcheons are available</p>		

DF05 2 Thicknesses | 5 Versions | 6 Finishes



A	B	C	
Two steel balls to protect the cylinder body + Two steel balls to protect the fixing screws	To version A, two balls are added to the chromed washer to protect the keyway and the cylinder body rotor	To version B, six balls are added as an integral part of the Defender® body	
● ●	● ●	● ●	
	● ●	● ●	
		● ● ● ● + ● ● ● ●	



Finish			Finish			Finish		
	DF051	DF052		DF051	DF052		DF051	DF052
Brass			Brass			Brass		
Chrome Plated			Chrome Plated			Chrome Plated		
Cromo satinato			Cromo satinato			Cromo satinato		
Gold			Gold			Gold		
PVD Gold			PVD Gold			PVD Gold		
Bronzo Antico			Bronzo Antico			Bronzo Antico		



- ● STATOR BALLS
- ● WASHER BALLS
- ● ● ● + ● ● ● ● FRONT AND REAR BALLS
- ■ POSITION MARKER
- MANGANESE PLATE
- /// ESCUTCHEON PINS
- ○ MANGANESE KEYWAY PLATES

D	E	F	G	H
	A position marker is added to version C	Two balls on the chromed washer + a manganese plate provide complete protection of the Defender® cylinder body		

		Finish		Finish							
		DF051	DF052	DF051	DF052						
				Brass		Brass					
				Chrome Plated		Chrome Plated					
				Cromo satinato		Cromo satinato					
				Gold		Gold					
				PVD Gold		PVD Gold					
				Bronzo Antico		Bronzo Antico					

- STATOR BALLS
- WASHER BALLS
- FRONT AND REAR BALLS
- POSITION MARKER
- MANGANESE PLATE
- ESCUTCHEON PINS
- MANGANESE KEYWAY PLATES

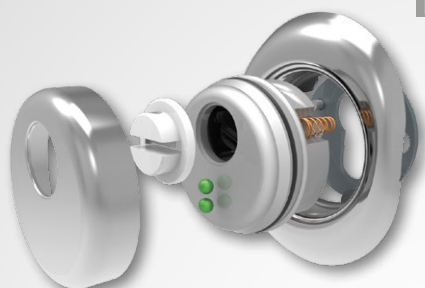
DF07 - Spring adjustable

DF071 / 072 / 073 / 074

This is the **FLEXIBLE Defender®**, available in **4 thicknesses** with **5 security VERSIONS** (A/B/C/E/F). This lock can be installed on most door thicknesses thanks to the spring attachment system that makes it easy to adjust, even if spacers need to be inserted.

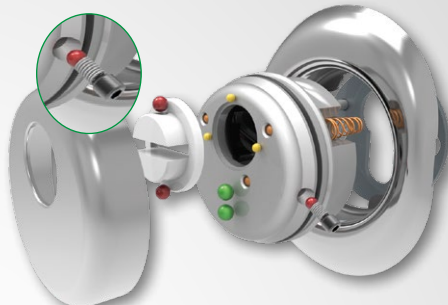
It can also be mounted horizontally.

A



Two steel balls protect the cylinder body
Two steel balls protect the fixing screws

E



A position marker is added to version C

B



To version A, two balls are added to the chromed washer to protect the keyway and the cylinder body rotor

F



Two balls on the chromed washer + a manganese plate provide complete protection of the Defender® cylinder body

C



To version B, six balls are added as an integral part of the Defender® body

The **protector DF07** (DF071/072/073/074) spring adjustable, consists of a steel **Defender®** with a sheet metal escutcheon (70 x 90 mm), available in **4 thicknesses** and **5 security versions** for each type.

The cover of the **Defender®** and the aluminium/brass escutcheon make **8 different finishes** available for the best possible match with existing handles and knobs.

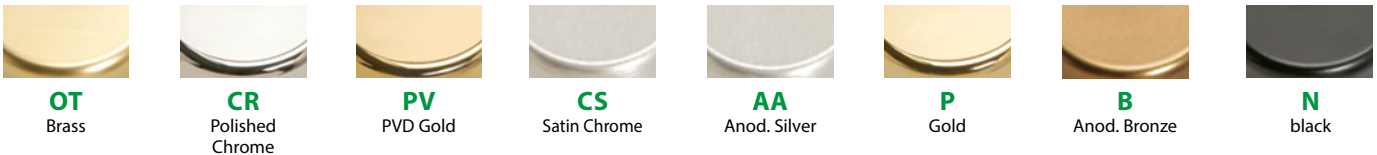
A rotating chromed washer protects the keyway with a slot available in two sizes, 3.5 or 5 mm.




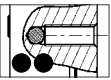



Available with M6 or M8 fixing screws (art. DF071...M8)
Centre distance 38 mm - fixing screws included.

8 Finishes

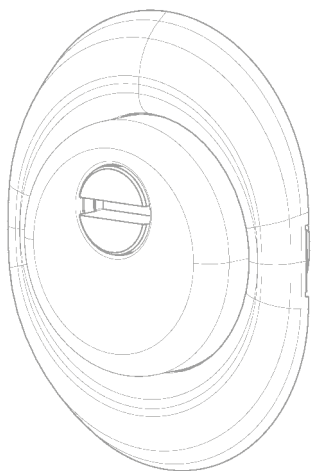
Brass, Chrome, Satin Chrome, Gold, Anodized Silver, Anodized Bronze, Black with chromed washer and PVD Gold with PVD gold washer.



Specifications

	<p>A rotating chromed washer protects the keyway with a slot available in two sizes, 3.5 or 5 mm.</p>		<p>All the versions feature two steel balls to protect the fixing screws</p>
	<p>Available with M6 or M8 fixing screws</p>		<p>Possibility of selecting the keyway washer with position marker (LEVEL E)</p>
	<p>Neutral or Mottura branded escutcheons are available</p>		

DF07 4 Thicknesses | 5 Versions | 8 Finishes



A	B	C
Two steel balls to protect the cylinder body + Two steel balls to protect the fixing screws	To version A, two balls are added to the chromed washer to protect the keyway and the cylinder body rotor	To version B, six balls are added as an integral part of the Defender® body
● ●	● ●	● ●
	● ●	● ●
		● ● ● ● ● ●

DF071.. th. → ← 12 a 22 mm	DF072.. th. → ← 6 a 12 mm

Finish	DF071		Finish	DF072		Finish	DF071		DF072	
	DF071	DF072		DF071	DF072		DF071	DF072		
Brass			Brass			Brass				
Black			Black			Black				
Chrome Plated			Chrome Plated			Chrome Plated				
Satin Chrome			Satin Chrome			Satin Chrome				
Gold			Gold			Gold				
Anodised Silver			Anodised Silver			Anodised Silver				
Anodised Bronze			Anodised Bronze			Anodised Bronze				
PVD Gold			PVD Gold			PVD Gold				

DF073.. th. → ← 22 a 32 mm	DF074.. th. → ← 32 a 42 mm

Finish	DF073		Finish	DF074		Finish	DF073		DF074	
	DF073	DF074		DF073	DF074		DF073	DF074		
Brass			Brass			Brass				
Black			Black			Black				
Chrome Plated			Chrome Plated			Chrome Plated				
Satin Chrome			Satin Chrome			Satin Chrome				
Gold			Gold			Gold				
Anodised Silver			Anodised Silver			Anodised Silver				
Anodised Bronze			Anodised Bronze			Anodised Bronze				
PVD Gold			PVD Gold			PVD Gold				

- ● STATOR BALLS
- ● WASHER BALLS
- ● ● ● ● ● FRONT AND REAR BALLS
- + ● ● ● ●
- MANGANESE PLATE
- /// ESCUTCHEON PINS
- ○ MANGANESE KEYWAY PLATES



D	E	F	G	H
	A position marker is added to version C	Two balls on the chromed washer + a manganese plate provide complete protection of the Defender® cylinder body		

			Finish	DF071		Finish	DF072					
			Brass			Brass						
			Black			Black						
			Chrome Plated			Chrome Plated						
			Satin Chrome			Satin Chrome						
			Gold			Gold						
			Anodised Silver			Anodised Silver						
			Anodised Bronze			Anodised Bronze						
			PVD Gold			PVD Gold						

			Finish	DF073		Finish	DF074					
			Brass			Brass						
			Black			Black						
			Chrome Plated			Chrome Plated						
			Satin Chrome			Satin Chrome						
			Gold			Gold						
			Anodised Silver			Anodised Silver						
			Anodised Bronze			Anodised Bronze						
			PVD Gold			PVD Gold						

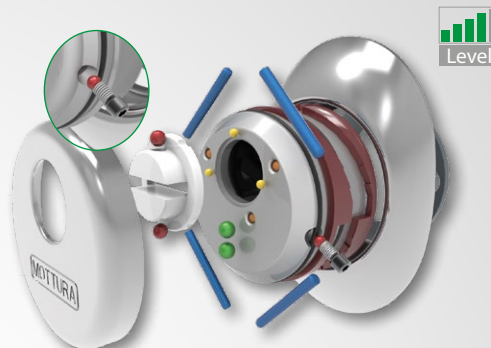
- STATOR BALLS
- WASHER BALLS
- FRONT AND REAR BALLS
- POSITION MARKER
- MANGANESE PLATE
- ESCUTCHEON PINS
- MANGANESE KEYWAY PLATES

DF09 - Adjustable with fixed pitch

DF091 / 092 / 093 / 094 / 095 / 096

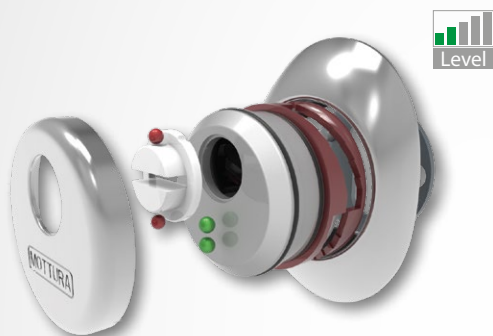
This is the **Defender®** **PREFERRED BY ENGINEERS**, available in **6 thicknesses** with **7 security VERSIONS** (B/C/D/E/F/G/H). The fixed pitch allow the most precise mechanical adjustment of the Defender®, avoiding the use of shims or spacers.

E



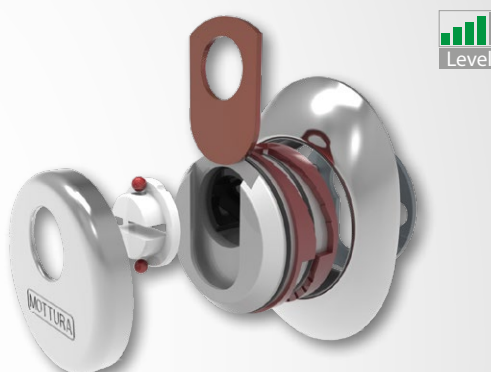
A position marker is added to version D

B



Two steel balls to protect the cylinder body + Two steel balls on the chromed washer to protect the keyway and the cylinder body rotor
Two steel balls protect the fixing screws

F



Two balls on the chromed washer + a manganese plate provide complete protection of the Defender® body

C



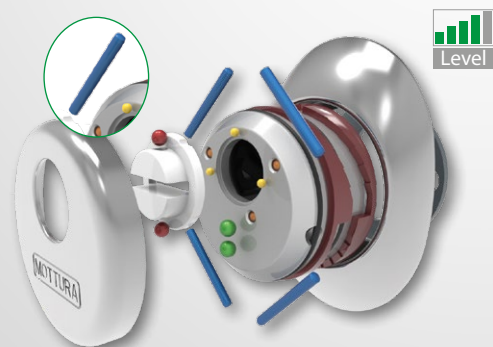
To version B, six balls are added as an integral part of the Defender® body

G



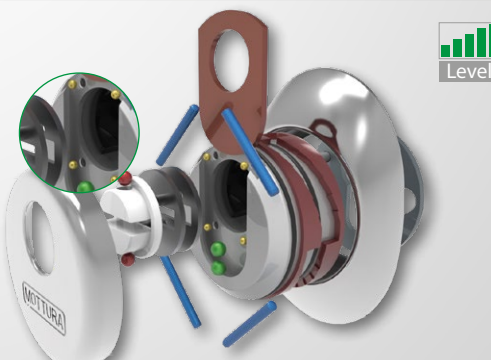
To version F, four pins to protect the escutcheon are added

D



To version C, four pins to protect the escutcheon are added

H



To version G, four balls are added as an integral part of the Defender® body + two steel balls to protect the cylinder body + two rotating manganese plates to protect the keyway.

The **DF09** protector (DF091/092/093/094/095/096) adjustable with fixed pitch (**Patented**) consists of a **Defender®** and **high-strength steel (HRC 53) escutcheon** (65 x 90 mm), available in **6 thicknesses** and **5 security versions** for each type.

The cover of the **Defender®** and the aluminium/brass escutcheon make **8 different finishes** available for the best possible match with existing handles and knobs.

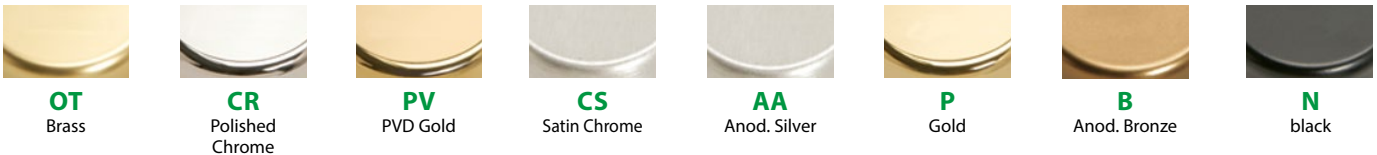
A rotating chromed washer protects the keyway with a slot available in **two sizes, 3.5 or 5 mm**.



Available with M6 fixing screws - centre distances 26-38 mm fixing screws included.

8 Finishes

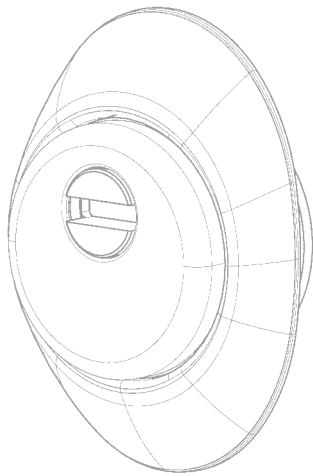
Brass, Chrome, Satin Chrome, Gold, Anodized Silver, Anodized Bronze, Black with chromed washer and PVD Gold with PVD gold washer.



Specifications

	A rotating chromed washer protects the keyway with a slot available in two sizes, 3.5 or 5 mm.		All the versions feature two steel balls to protect the fixing screws
	Available with M6 fixing screws		Possibility of selecting the keyway washer with position marker (LEVEL E)
	Neutral or Mottura branded escutcheons are available		

DF09 6 Thicknesses | 7 Versions | 8 Finishes



A	B	C	
	Two steel balls to protect the cylinder body + Two steel balls on the chromed washer to protect the keyway and the cylinder body rotor. Two steel balls protect the fixing screws.	To version B, six balls are added as an integral part of the Defender® body	
	● ●	● ●	
	● ●	● ●	
		● ● ● ● + ● ● ● ●	

DF091.. th. → ← 8 a 13 mm	DF092.. th. → ← 13 a 18 mm

		Finish		Finish	
		Brass		Brass	
		Black		Black	
		Chrome Plated		Chrome Plated	
		Satin Chrome		Satin Chrome	
		Gold		Gold	
		Anodised Silver		Anodised Silver	
		Anodised Bronze		Anodised Bronze	
		PVD Gold		PVD Gold	

DF093.. th. → ← 18 a 23 mm	DF094.. th. → ← 23 a 28 mm

		Finish		Finish	
		DF093	DF094	DF093	DF094
		Brass		Brass	
		Black		Black	
		Chrome Plated		Chrome Plated	
		Satin Chrome		Satin Chrome	
		Gold		Gold	
		Anodised Silver		Anodised Silver	
		Anodised Bronze		Anodised Bronze	
		PVD Gold		PVD Gold	

- ● STATOR BALLS
- ● WASHER BALLS
- ● ● ● + ● ● ● ● FRONT AND REAR BALLS
- MANGANESE PLATE
- /// ESCUTCHEON PINS
- ○ MANGANESE KEYWAY PLATES



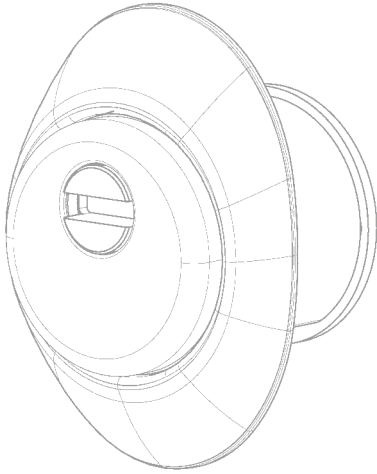
	D	E	F	G	H
	To version C, four pins to protect the escutcheon are added	A position marker is added to version D	Two balls on the chromed washer + a manganese plate provide complete protection of the Defender® cylinder body	To version F, four pins to protect the escutcheon are added	To version G, four balls are added as an integral part of the Defender® body + two steel balls to protect the cylinder body + two rotating manganese plates to protect the keyway.

	Finish			Finish			Finish			Finish			Finish	
	Brass		Brass		Brass		Brass		Brass		Brass		Brass	
	Black		Black		Black		Black		Black		Black		Black	
	Chrome Plated		Chrome Plated		Chrome Plated		Chrome Plated		Chrome Plated		Chrome Plated		Chrome Plated	
	Satin Chrome		Satin Chrome		Satin Chrome		Satin Chrome		Satin Chrome		Satin Chrome		Satin Chrome	
	Gold		Gold		Gold		Gold		Gold		Gold		Gold	
	Anodised Silver		Anodised Silver		Anodised Silver		Anodised Silver		Anodised Silver		Anodised Silver		Anodised Silver	
	Anodised Bronze		Anodised Bronze		Anodised Bronze		Anodised Bronze		Anodised Bronze		Anodised Bronze		Anodised Bronze	
	PVD Gold		PVD Gold		PVD Gold		PVD Gold		PVD Gold		PVD Gold		PVD Gold	

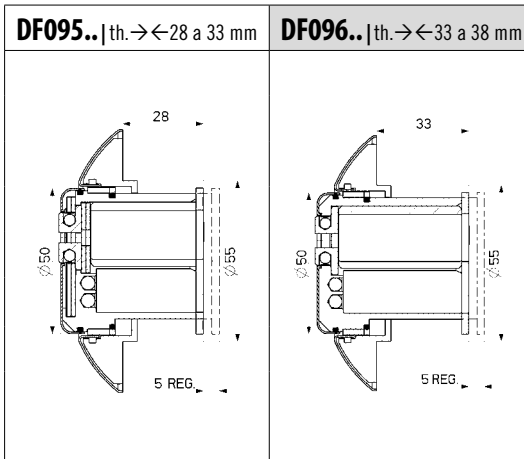
	Finish			Finish			Finish			Finish			Finish	
	DF093	DF094	DF093	DF094	DF093	DF094	DF093	DF094	DF093	DF094	DF093	DF094	DF093	DF094
	Brass		Brass		Brass		Brass		Brass		Brass		Brass	
	Black		Black		Black		Black		Black		Black		Black	
	Chrome Plated		Chrome Plated		Chrome Plated		Chrome Plated		Chrome Plated		Chrome Plated		Chrome Plated	
	Satin Chrome		Satin Chrome		Satin Chrome		Satin Chrome		Satin Chrome		Satin Chrome		Satin Chrome	
	Gold		Gold		Gold		Gold		Gold		Gold		Gold	
	Anodised Silver		Anodised Silver		Anodised Silver		Anodised Silver		Anodised Silver		Anodised Silver		Anodised Silver	
	Anodised Bronze		Anodised Bronze		Anodised Bronze		Anodised Bronze		Anodised Bronze		Anodised Bronze		Anodised Bronze	
	PVD Gold		PVD Gold		PVD Gold		PVD Gold		PVD Gold		PVD Gold		PVD Gold	

- STATOR BALLS
- WASHER BALLS
- FRONT AND REAR BALLS
- POSITION MARKER
- MANGANESE PLATE
- ESCUTCHEON PINS
- MANGANESE KEYWAY PLATES

DF09 6 Thicknesses | 7 Versions | 8 Finishes



A	B	C
	Two steel balls to protect the cylinder body + Two steel balls on the chromed washer to protect the keyway and the cylinder body rotor. Two steel balls protect the fixing screws.	To version B, six balls are added as an integral part of the Defender® body
	● ●	● ●
	● ●	● ●
		● ● ● ● + ● ● ●



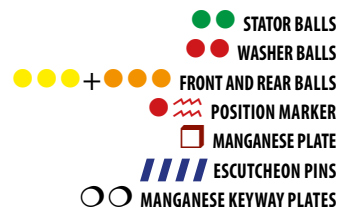
	Finish		DF095	DF096	Finish		DF095	DF096
		Brass				Brass		
		Black				Black		
		Chrome Plated				Chrome Plated		
		Satin Chrome				Satin Chrome		
		Gold				Gold		
		Anodised Silver				Anodised Silver		
		Anodised Bronze				Anodised Bronze		
		PVD Gold				PVD Gold		



- ● STATOR BALLS
- ● WASHER BALLS
- ● ● ● + ● ● ● FRONT AND REAR BALLS
- ■ POSITION MARKER
- MANGANESE PLATE
- /// ESCUTCHEON PINS
- ○ MANGANESE KEYWAY PLATES

	D	E	F	G	H
	To version C, four pins to protect the escutcheon are added	A position marker is added to version D	Two balls on the chromed washer + a manganese plate provide complete protection of the Defender® cylinder body	To version F, four pins to protect the escutcheon are added	To version G, four balls are added as an integral part of the Defender® body + two steel balls to protect the cylinder body + two rotating manganese plates to protect the keyway.

	Finish	DF095		DF096		Finish	DF095		DF096		Finish	DF095		DF096	
	Brass					Brass					Brass				
	Black					Black					Black				
	Chrome Plated					Chrome Plated					Chrome Plated				
	Satin Chrome					Satin Chrome					Satin Chrome				
	Gold					Gold					Gold				
	Anodised Silver					Anodised Silver					Anodised Silver				
	Anodised Bronze					Anodised Bronze					Anodised Bronze				
	PVD Gold					PVD Gold					PVD Gold				

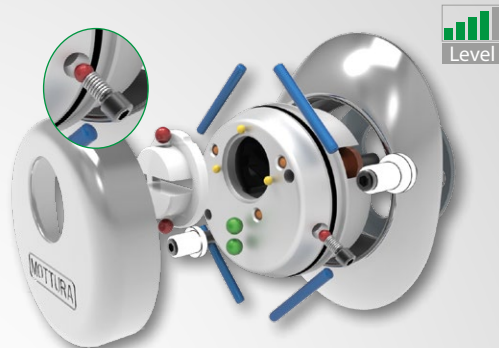


DF11 - Adjustable with set screws

DF111 / 112 / 113

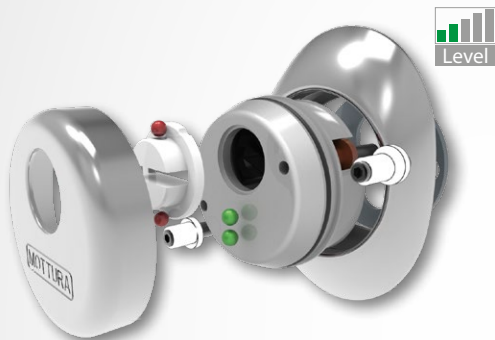
This is the **SINTESI Defender®**, since with just **3 thicknesses** several panel thicknesses can be covered, thanks to its very simple system of adjustment with set screws, which can be done from outside even after the Defender® has been installed.

E



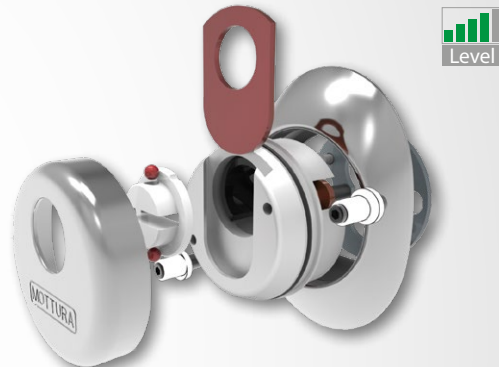
A position marker is added to version D

B



Two steel balls to protect the cylinder body + Two steel balls on the chromed washer to protect the keyway and the cylinder body rotor
Two steel balls protect the fixing screws

F



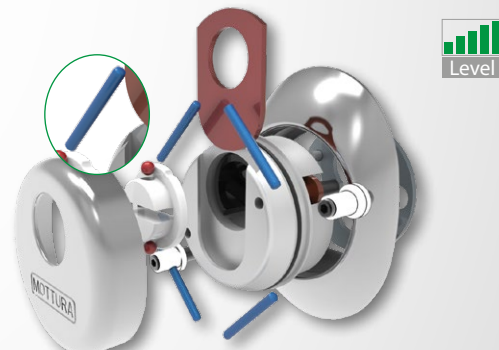
Two balls on the chromed washer + a manganese plate provide complete protection of the Defender® body

C



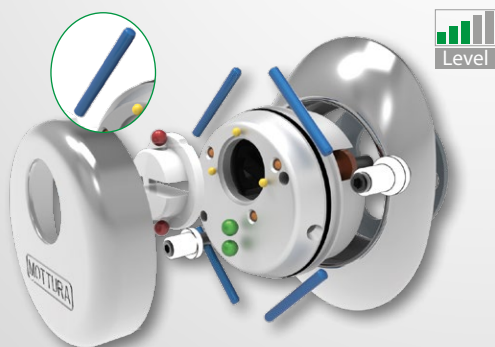
To version B, six balls are added as an integral part of the Defender® body

G



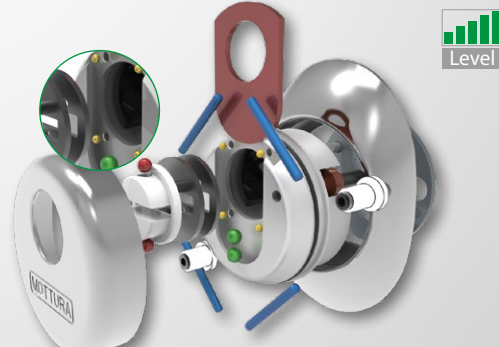
To version F, four pins to protect the escutcheon are added

D



To version C, four pins to protect the escutcheon are added

H



To version G, four balls are added as an integral part of the Defender® body + two steel balls to protect the cylinder body + two rotating manganese plates to protect the keyway.

The **DF11 DEFENDER® (Patented)** (DF111/112/113) adjustable with set screws consists of a **Defender®** and **high-strength steel (HRC 53) escutcheon** (65 x 90 mm), available in **3 thicknesses** and **7 security levels** for each type.



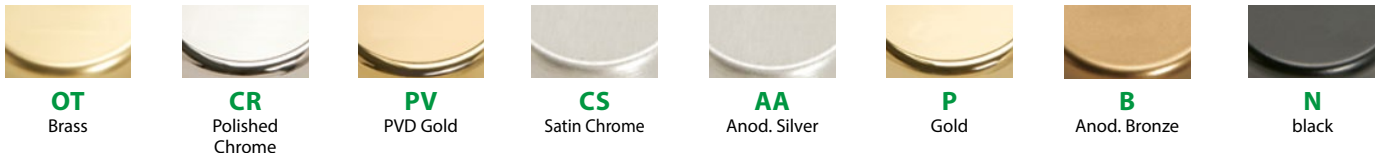
The cover of the **Defender®** and the aluminium/brass escutcheon make **8 different finishes** available for the best possible match with existing handles and knobs.

A rotating chromed washer protects the keyway with a slot available in **two sizes, 3.5 or 5 mm**.

Available with M6 fixing screws - Centre distance 38 mm - fixing screws included.

8 Finishes

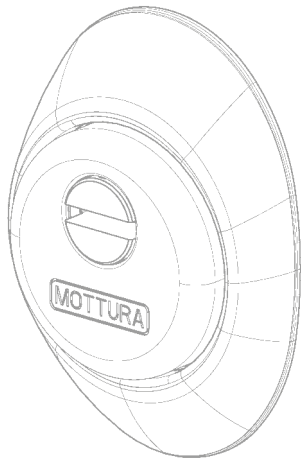
Brass, Chrome, Satin Chrome, Gold, Anodized Silver, Anodized Bronze, Black with chromed washer and PVD Gold with PVD gold washer.



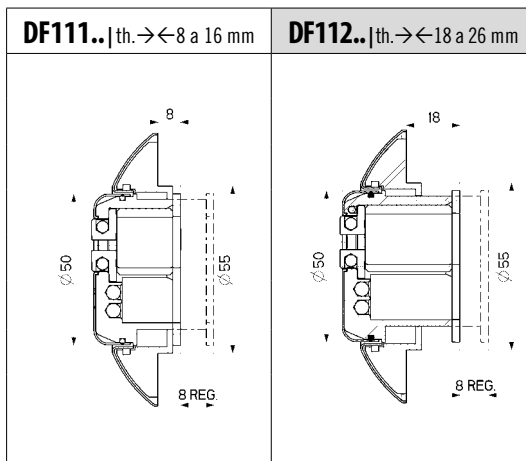
Specifications

	A rotating chromed washer protects the keyway with a slot available in two sizes, 3.5 or 5 mm.		All the versions feature two steel balls to protect the fixing screws
	Available with M6 fixing screws		Possibility of selecting the keyway washer with position marker (LEVEL E)
	Neutral or Mottura branded escutcheons are available		

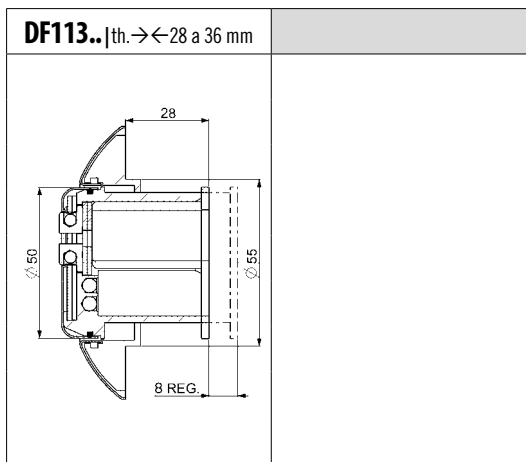
DF11 3 Thicknesses | 7 Versions | 8 Finishes



A	B	C
	Two steel balls to protect the cylinder body + Two steel balls on the chromed washer to protect the keyway and the cylinder body rotor. Two steel balls protect the fixing screws.	To version B, six balls are added as an integral part of the Defender® body
	● ●	● ●
	● ●	● ●
		● ● ● + ● ● ●



Finish	DF111		DF112		Finish	DF111		DF112	
Brass					Brass				
Black					Black				
Chrome Plated					Chrome Plated				
Satin Chrome					Satin Chrome				
Gold					Gold				
Anodised Silver					Anodised Silver				
Anodised Bronze					Anodised Bronze				
PVD Gold					PVD Gold				



Finish	DF113		Finish	DF113	
Brass			Brass		
Black			Black		
Chrome Plated			Chrome Plated		
Satin Chrome			Satin Chrome		
Gold			Gold		
Anodised Silver			Anodised Silver		
Anodised Bronze			Anodised Bronze		
PVD Gold			PVD Gold		

- ● STATOR BALLS
- ● WASHER BALLS
- ● ● + ● ● ● FRONT AND REAR BALLS
- ■ POSITION MARKER
- MANGANESE PLATE
- /// ESCUTCHEON PINS
- ○ MANGANESE KEYWAY PLATES



	D	E	F	G	H
	To version C, four pins to protect the escutcheon are added	A position marker is added to version D	Two balls on the chromed washer + a manganese plate provide complete protection of the Defender® cylinder body	To version F, four pins to protect the escutcheon are added	To version G, four balls are added as an integral part of the Defender® body + two steel balls to protect the cylinder body + two rotating manganese plates to protect the keyway.

	Finish	DF111		DF112	Finish	DF111		DF112	Finish	DF111		DF112	Finish	DF111		DF112
	Brass				Brass				Brass				Brass			
	Black				Black				Black				Black			
	Chrome Plated				Chrome Plated				Chrome Plated				Chrome Plated			
	Satin Chrome				Satin Chrome				Satin Chrome				Satin Chrome			
	Gold				Gold				Gold				Gold			
	Anodised Silver				Anodised Silver				Anodised Silver				Anodised Silver			
	Anodised Bronze				Anodised Bronze				Anodised Bronze				Anodised Bronze			
	PVD Gold				PVD Gold				PVD Gold				PVD Gold			

	Finish	DF113		DF114	Finish	DF113		DF114	Finish	DF113		DF114	Finish	DF113		DF114
	Brass				Brass				Brass				Brass			
	Black				Black				Black				Black			
	Chrome Plated				Chrome Plated				Chrome Plated				Chrome Plated			
	Satin Chrome				Satin Chrome				Satin Chrome				Satin Chrome			
	Gold				Gold				Gold				Gold			
	Anodised Silver				Anodised Silver				Anodised Silver				Anodised Silver			
	Anodised Bronze				Anodised Bronze				Anodised Bronze				Anodised Bronze			
	PVD Gold				PVD Gold				PVD Gold				PVD Gold			

- STATOR BALLS
- WASHER BALLS
- FRONT AND REAR BALLS
- POSITION MARKER
- MANGANESE PLATE
- ESCUTCHEON PINS
- MANGANESE KEYWAY PLATES

Defender®

DF301 - Magnetic



This is the **MAGNETIC Defender®** in a single monobloc model that protects the keyway through the traditional Defender® mechanical protector and an innovative magnetic shield. This shield is controlled by the **special hexagonal magnetic key**, which provides security using the combination of the polarities and positions of 10 magnets with respect to the **different key profiles**.





The **Defender® MAGNETIC DF301 (Patented)** is made of a Zamak monobloc (70 x 120 mm) with a steel **Defender®** inside, available in 5 mm base panel thicknesses.

Maximum security level with a manganese keyway protector that can only be opened with a specific magnetic key.

The keyway is also protected by a rotating chromed washer with a slot available in **two sizes, 3.5 or 5 mm.**

There are **3 different finishes** available so the best combination with existing handles and knobs can be found.

The Defender® KA version with the same coding, which can be opened with the same magnetic key is also available.

Available with **M6 or M8 fixing screws** (art. DF301...M8) **centre distances 26/38 mm - fixing screws included.**

For use with 5 mm base panel thicknesses.

Appropriate spacers can be used for thicker panels.

Security level III

Maximum security level with balls protecting the magnetic keyway and at the mechanical keyway. Manganese plates protect the mechanical keyway and the internal parts of the Defender®.

Magnetic key III

A **SPECIAL magnetic key** allows the mechanical keyway to be opened. Hexagonal profile magnetic keyway with the possibility of numerous different key profiles enabling high levels of coding to be obtained.

Key duplication at authorised Mottura Club centres.

3 Finishes III

Finishes: Chrome, Satin chrome with chromed washer and PVD Gold with PVD gold washer.



CR
Polished Chrome



PV
PVD Gold

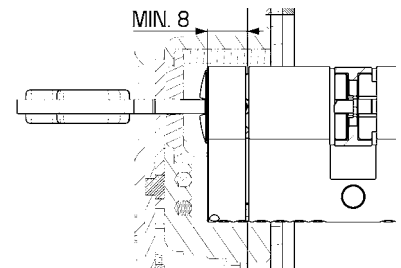


CS
Satin Chrome

Specifications III

	A rotating chromed washer protects the keyway with a slot available in two sizes, 3.5 or 5 mm.		Mottura brand on the escutcheon
	Available with M6 or M8 fixing screws		All the versions feature two steel balls to protect the fixing screws

Utilization III



For its correct use, the cylinder must have a projection from door panel of minimum 8 mm.

DF301..			
Finish	Polished Chrome	Satin Chrome	PVD Gold
with 2 keys			
with 4 keys			



92354

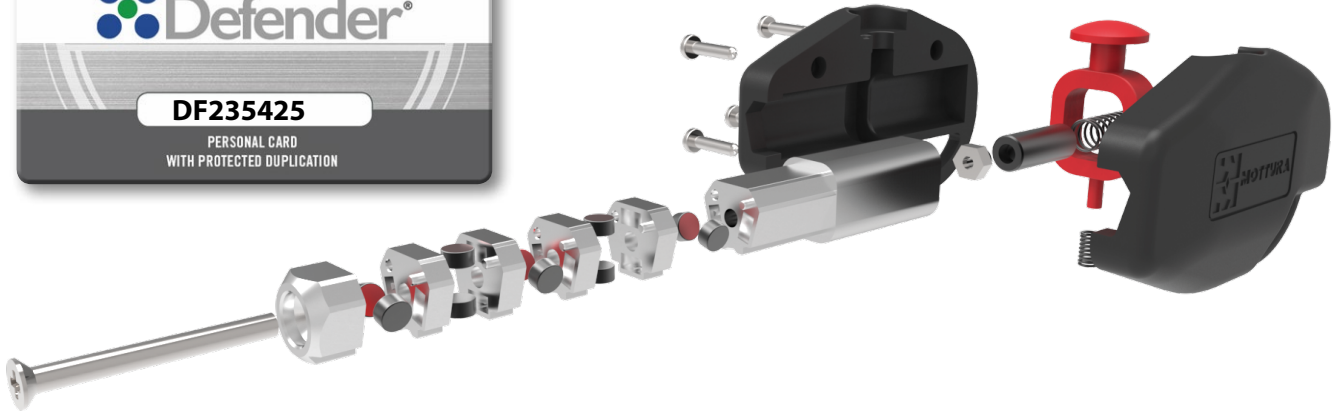
Additional keys



Supplement for the realization of a single coding system.

DF301-Magnetico

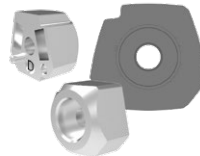
key duplication Components
Reserved to Mottura Club



98DAF733

Including magnetic key fob
Pack of 20 pieces

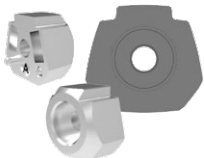
Finish	Black
--------	-------



98D13202D

Magnetic key base profile D
Pack of 20 pieces

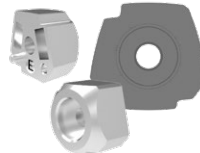
Finish	Zinc-plated
--------	-------------



98D13202A

Magnetic key base profile A
Pack of 20 pieces

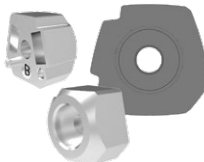
Finish	Zinc-plated
--------	-------------



98D13202E

Magnetic key base profile E
Pack of 20 pieces

Finish	Zinc-plated
--------	-------------



98D13202B

Magnetic key base profile B
Pack of 20 pieces

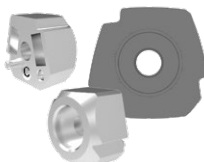
Finish	Zinc-plated
--------	-------------



98D13203

Magnetic key terminal
Pack of 20 pieces

Finish	Zinc-plated
--------	-------------



98D13202C

Magnetic key base profile C
Pack of 20 pieces

Finish	Zinc-plated
--------	-------------



98D13204

Magnetic key intermediate
Pack of 80 pieces

Finish	Zinc-plated
--------	-------------



98D42114

Magnetic insert for coding of magnetic key
diam. 3 x 1.5 mm
Pack of 200 pieces

Finish	Zinc-plated
---------------	-------------



98DAF749

Magnetic key assembly tool
Pack of 1 piece

Finish	Zinc-plated
---------------	-------------



98D18032

Self-locking nut M2 DIN 985
Pack of 20 pieces

Finish	Zinc-plated
---------------	-------------



P354000

Component carry case
Pack of 1 piece



98D56280

Magnetic key locking screw M2 x 25mm
Pack of 20 pieces

Finish	Zinc-plated
---------------	-------------

Accessories



941117N

Spacer 2.5 mm thickness for Defender Magnetic DF301
Dim. 117 x 70 mm
Pack of 1 piece

Finish	Black
---------------	-------

Defender®

DF501-Electronic



This is the **ELECTRONIC Defender®** in a single monobloc model with a sliding manganese plate protecting the keyway that is activated by a numeric code allowing the key to be inserted.

ELECTRONIC Defender® (patented), top-notch security is completed aesthetically. Brass/aluminium monobloc (65 x 202 mm) with a steel **Defender®** inside, available in 5 mm base panel thicknesses.

The keyway is protected by a manganese plate positioned to completely cover the rotating chromed washer with the keyway slot available in **two sizes: 3.5 or 5 mm**.

The manganese plate protecting the keyway is activated by a numeric code that allows the key to be inserted. Possibility of storing **1 MASTER code** and **25 SERVICE codes**.

Available with **M6 or M8 fixing screws** (art. DF501...M8)
Centre distances 26/38 mm - fixing screws included.

For use with 5 mm base panel thicknesses.

Appropriate spacers can be used for thicker panels.



3 Finishes

Finishes: Chrome, Satin chrome with chromed washer and PVD Gold with PVD gold washer.



CR
Polished Chrome



PV
PVD Gold

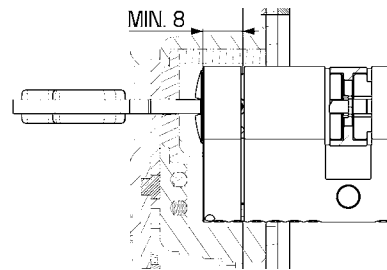


CS
Satin Chrome

Specifications

	A rotating chromed washer protects the keyway with a slot available in two sizes, 3.5 or 5 mm.		Mottura brand on the escutcheon
	Available with M6 or M8 fixing screws		All the versions feature two steel balls to protect the fixing screws

Utilization



For its correct use, the cylinder must have a projection from door panel of minimum 8 mm.

DF501..			
Finish	Polished Chrome	Satin Chrome	PVD Gold

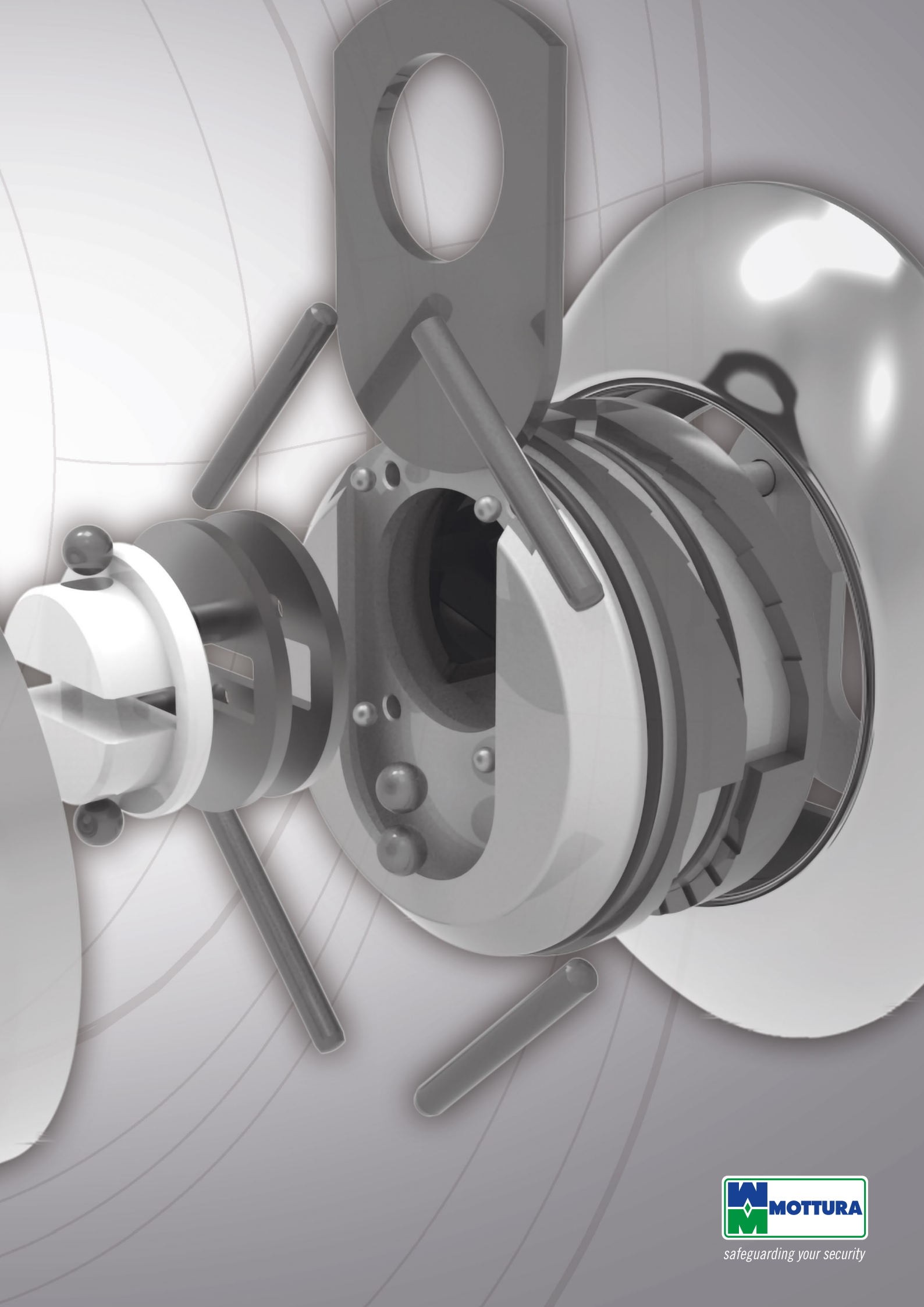


94118N	
Spacer 2.5 mm thickness for Electronic Defender DF501 Dim. 202 x 65 mm Pack of 1 piece	
Finish	Black



... the **history** of the Mottura Defender®
follows...











safeguarding your security

LEVEL

9411606 / 607 / 608 / 609 / 616 / 617

Defender® with built-in protector escutcheon available in **three fixed thicknesses** (9.5 - 12.5 - 19.5 mm) recessed in the door panel.

<p>9411606</p>  <p>Defender® with built-in protector escutcheon and chromed washer with keyway slot 3.5 mm. Door panel recess 9.5 mm</p>	<p>9411607</p>  <p>Defender® with built-in protector escutcheon and chromed washer with keyway slot 5 mm. Door panel recess 9.5 mm.</p>
<p>9411608</p>  <p>Defender® with built-in protector escutcheon and chromed washer with keyway slot 3.5 mm. Door panel recess 19.5 mm.</p>	<p>9411609</p>  <p>Defender® with built-in protector escutcheon and chromed washer with keyway slot 5 mm. Door panel recess 19.5 mm.</p>
<p>9411616</p>  <p>Defender® with built-in protector escutcheon and chromed washer with keyway slot 3.5 mm. Door panel recess 12.5 mm.</p>	<p>9411617</p>  <p>Defender® with built-in protector escutcheon and chromed washer with keyway slot 5 mm. Door panel recess 12.5 mm.</p>



Series **LEVEL** is characterized by two separate elements that integrate perfectly to offer greater protection. The special shape of this **Defender®** and the anti-wrench steel escutcheon prevent the cylinder from being extracted by burglar tools. Escutcheon dimensions : 90 x 65 thick. 5mm

A rotating chromed washer protects the keyway with a slot available in two sizes, 3.5 or 5 mm.

Available with M6 fixing screws
Centre distance 38 mm.



9411608/609



9411616/617



9411606/607

2 Finishes

Finishes: Black, Gold.



P
Gold

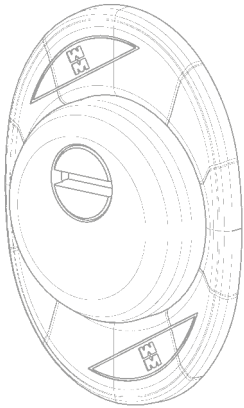


N
black

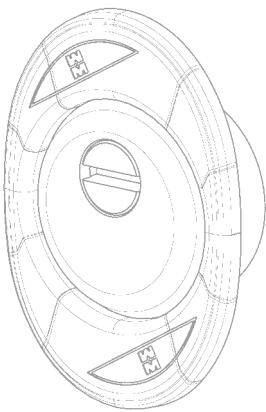
Specifications

	<p>A rotating chromed washer protects the keyway with a slot available in two sizes, 3.5 or 5 mm.</p>		<p>Neutral or Mottura branded escutcheons are available</p>
	<p>Available with M6 fixing screws</p>		<p>All the versions feature two steel balls to protect the fixing screws</p>

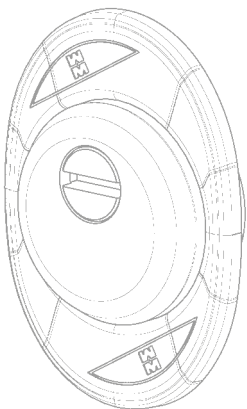
Level 3 Thicknesses | 2 Finishes



9411606 th. → < 9,5mm	9411607 th. → < 9,5mm	Finish	9411606	Finish	9411607
		Gold		Gold	
		Black		Black	

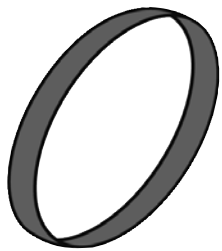


9411608 th. → < 19,5mm	9411609 th. → < 19,5mm	Finish	9411608	Finish	9411609
		Gold		Gold	
		Black		Black	



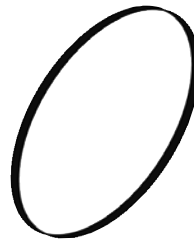
9411616 th. → < 12,5mm	9411617 th. → < 12,5mm	Finish	9411616	Finish	9411617
		Gold		Gold	
		Black		Black	





98.19093

Ring th. 5 Ø 50 for Defender[®] LEVEL Ø 50.
Pack of 25 pieces



98.19094

Elastic ring for Defender[®] LEVEL Ø 50.
Pack of 25 pieces

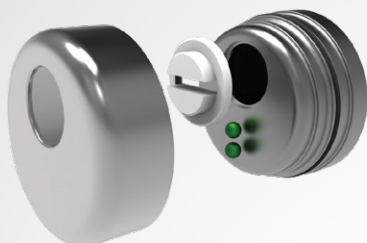
BASIC

9411625 / 725 - 9411645 / 745

9411425 / 525 BASIC DIERRE

Defender® with chromed washer to protect the keyway, which with just **2 thicknesses** covers most door thicknesses, expands its range with the **new version for Dierre doors**.

9411625



Defender® thickness 25 mm
Two steel balls protect the cylinder body.
Two steel balls protect the fixing screws.

9411725



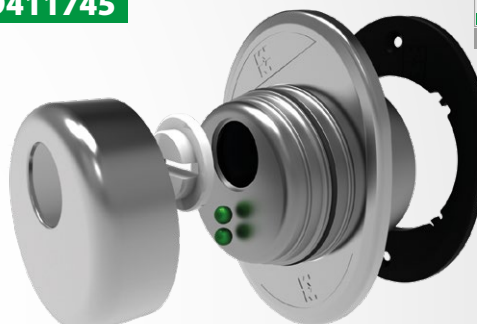
Defender® thickness 25 mm including escutcheon 95402
Two steel balls protect the cylinder body.
Two steel balls protect the fixing screws.

9411645



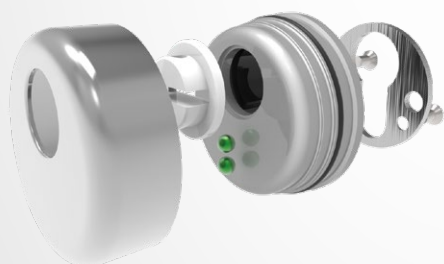
Defender® thickness 45 mm
Two steel balls protect the cylinder body.
Two steel balls protect the fixing screws.

9411745



Defender® thickness 45 mm including escutcheon 95402
Two steel balls protect the cylinder body.
Two steel balls protect the fixing screws.

9411425 DIERRE



Defender® thickness 25 mm for Dierre locks
Two steel balls protect the cylinder body.
Two steel balls protect the fixing screws.

9411525 DIERRE



Defender® thickness 25 mm for Dierre locks including escutcheon 95402. Two steel balls protect the cylinder body. Two steel balls protect the fixing screws.



The **BASIC protector** consists of a steel **Defender®** available in the version with escutcheon (65 x 90 mm - 9411725/745) and without escutcheon (9411625/645), available in **2 thicknesses (25/45 mm)**.

Single thickness (25 mm) for the **new BASIC DIERRE** version. The cover of the Defender® in aluminium/brass makes **8 different finishes** available for the best possible match with existing handles and knobs.

A rotating chromed washer protects the keyway with a slot available in two sizes, **3.5 or 5 mm**.



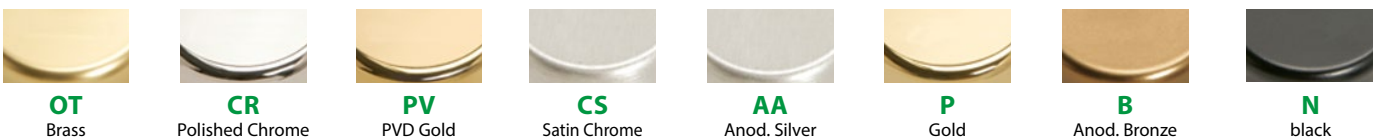
BASIC DIERRE

Available with M6 or M8 fixing screws (art. 9411...M8)
Centre distance 38 mm for BASIC.

Available with M6 fixing screws
Centre distance 31 mm for BASIC DIERRE.

8 Finishes

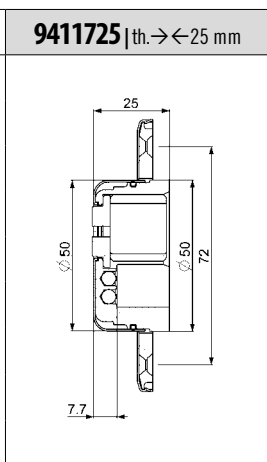
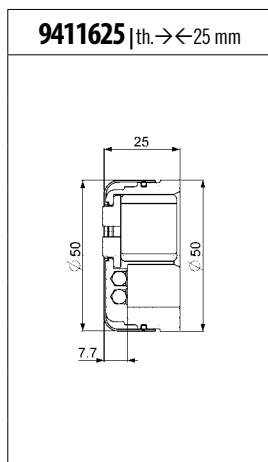
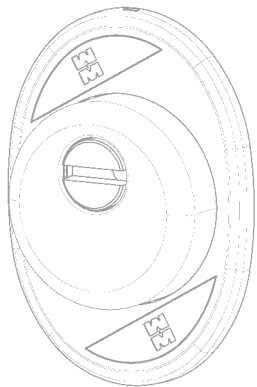
Brass, Chrome, Satin chrome, Gold, Anodized silver, Anodized bronze, Black with chromed washer and PVD Gold with PVD gold washer.



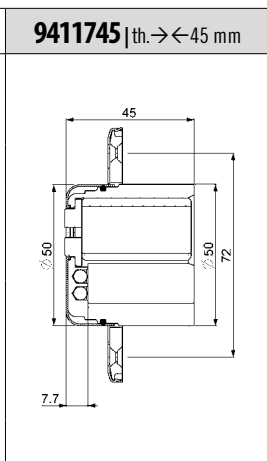
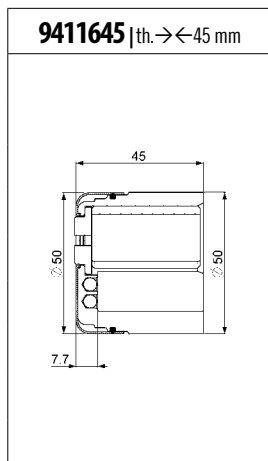
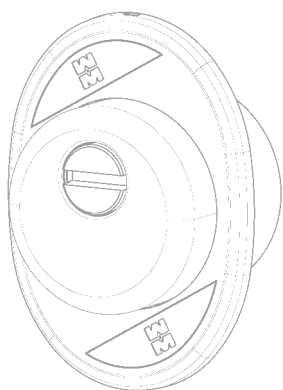
Specifications

	A rotating chromed washer protects the keyway with a slot available in two sizes, 3.5 or 5 mm.		Neutral or Mottura branded escutcheons are available
	Available with M6 or M8 fixing screws for BASIC Available with M6 fixing screws for BASIC DIERRE		All the versions feature two steel balls to protect the fixing screws

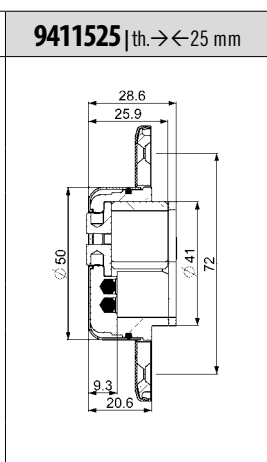
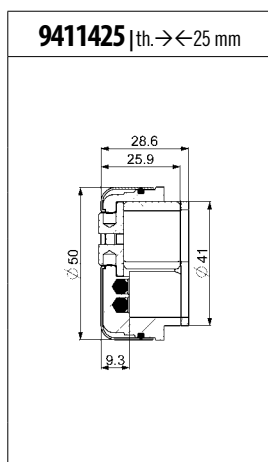
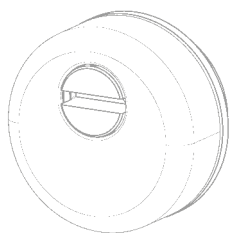
Basic 2 Thicknesses | 8 Finishes



Finish	9411625		9411725	
	Finish		Finish	
Brass			Brass	
Black			Black	
Chrome Plated			Chrome Plated	
Satin Chrome			Satin Chrome	
Gold			Gold	
Anodised Silver			Anodised Silver	
Anodised Bronze			Anodised Bronze	
PVD Gold			PVD Gold	



Finish	9411645		9411745	
	Finish		Finish	
Brass			Brass	
Black			Black	
Chrome Plated			Chrome Plated	
Satin Chrome			Satin Chrome	
Gold			Gold	
Anodised Silver			Anodised Silver	
Anodised Bronze			Anodised Bronze	
PVD Gold			PVD Gold	



Finish	9411425		9411525	
	Finish		Finish	
Brass			Brass	
Black			Black	
Chrome Plated			Chrome Plated	
Satin Chrome			Satin Chrome	
Gold			Gold	
Anodised Silver			Anodised Silver	
Anodised Bronze			Anodised Bronze	
PVD Gold			PVD Gold	





94.KIT1101

- Protection Kit for double cylinder, comprising:
- 1 art. 94.11625 (cylinder ext. protection of 30 mm)
 - 1 art. 94.502 (internal fixing rose, length 41 mm)
 - 1 art. 95.304 (screw cover plaque)
 - 1 art. 95.308 (barrel escutcheon)
 - 1 art. 99.293/90 (2 screws, length 90 mm)

Finish	Black	(P) Gold



94.KIT1103

- Protection Kit for cylinder with knob, comprising:
- 1 art. 94.11625 (cylinder ext. protection of 30 mm)
 - 1 art. 94.501 (internal fixing rose, length 41 mm)
 - 1 art. 95.303 (screw cover plaque)
 - 1 art. 95.308 (barrel escutcheon)
 - 1 art. 99.293/90 (2 screws, length 90 mm)

Finish	Black	(P) Gold



94.KIT1102

- Protection Kit for double cylinder, comprising:
- 1 art. 94.11645 (cylinder ext. protection of 50 mm)
 - 1 art. 94.502 (internal fixing rose, length 41 mm)
 - 1 art. 95.304 (screw cover plaque)
 - 1 art. 95.308 (barrel escutcheon)
 - 1 art. 99.293/90 (2 screws, length 90 mm)

Finish	Black	(P) Gold



94.KIT1104

- Protection Kit for cylinder with knob, comprising:
- 1 art. 94.11645 (cylinder ext. protection of 50 mm)
 - 1 art. 94.501 (internal fixing rose, length 41 mm)
 - 1 art. 95.303 (screw cover plaque)
 - 1 art. 95.308 (barrel escutcheon)
 - 1 art. 99.293/90 (2 screws, length 90 mm)

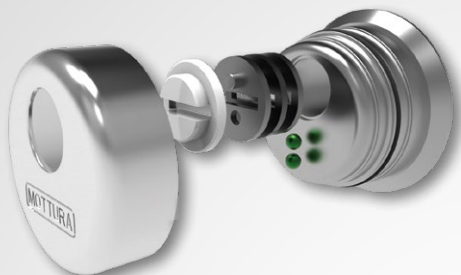
Finish	Black	(P) Gold

TOP SYSTEM

94630 / 640 / 650 / 660 - 94730 / 740 / 750 / 760

Defender® for high security, in **4 different thicknesses**, with cone base for installation in **combination with manganese reinforcement plates**. Keyway protected by three rotating manganese steel plates.

94630



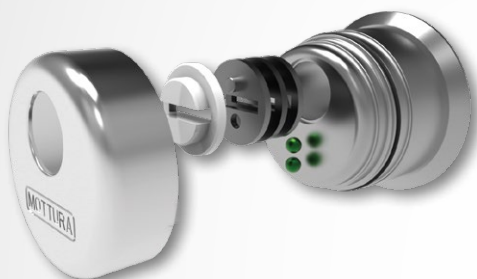
Defender® thickness 30 mm
Two steel balls protect the cylinder body.
Two steel balls protect the fixing screws

94730



Defender® thickness 30 mm including escutcheon 95402
Two steel balls protect the cylinder body.
Two steel balls protect the fixing screws.

94640



Defender® thickness 40 mm
Two steel balls protect the cylinder body.
Two steel balls protect the fixing screws

94740



Defender® thickness 40 mm including escutcheon 95402
Two steel balls protect the cylinder body.
Two steel balls protect the fixing screws.

94650



Defender® thickness 50 mm
Two steel balls protect the cylinder body.
Two steel balls protect the fixing screws.

94750



Defender® thickness 50 mm including escutcheon 95402
Two steel balls protect the cylinder body.
Two steel balls protect the fixing screws.

94660



Defender® thickness 60 mm
Two steel balls protect the cylinder body.
Two steel balls protect the fixing screws.

94760



Defender® thickness 60 mm including escutcheon 95402
Two steel balls protect the cylinder body.
Two steel balls protect the fixing screws.



The **TOP SYSTEM** protector consists of a steel **Defender®** available in the version with escutcheon (65 x 90 mm - 94730/40/50/60) or without escutcheon (94630/40/50/60), in 4 thicknesses.

Combine with the appropriate manganese plates.

The cover of the Defender® in aluminium/brass makes **8 different finishes** available for the best possible match with existing handles and knobs.

The keyway is protected by a rotating chromed washer with a **3.5 mm keyway slot** and **3 manganese steel plates** for a total thickness of 12 mm.

Holes for **M6 fixing screws - Centre distance 38 mm.**



8 Finishes

Brass, Chrome, Satin chrome, Gold, Anodized silver, Anodized bronze, Black with chromed washer and PVD Gold with PVD gold washer.



OT
Brass

CR
Polished Chrome

PV
PVD Gold

CS
Satin Chrome

AA
Anod. Silver

P
Gold

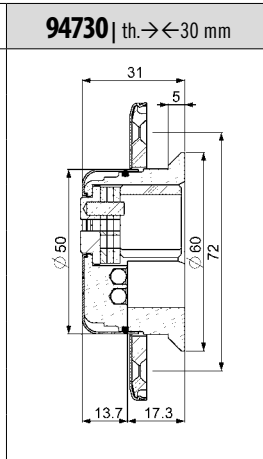
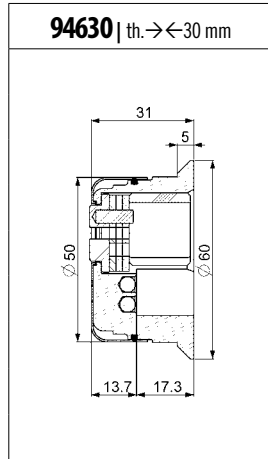
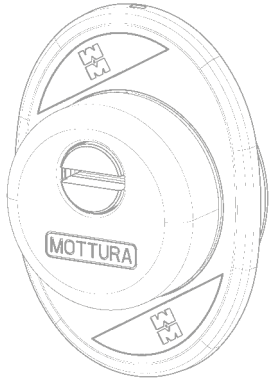
B
Anod. Bronze

N
black

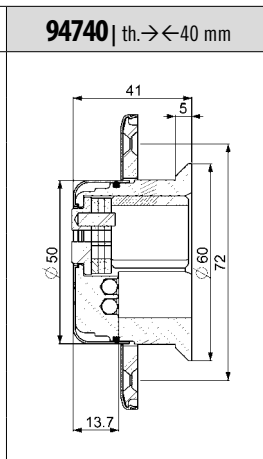
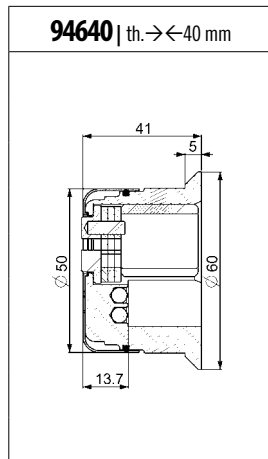
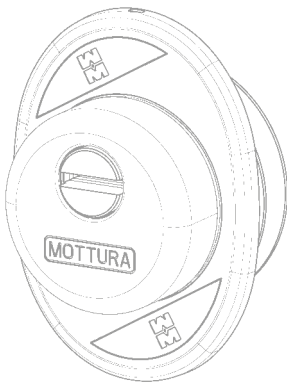
Specifications

	A rotating chromed washer with a 3.5 mm keyway slot.		Neutral or Mottura branded escutcheons are available
	Available with M6 fixing screws		All the versions feature two steel balls to protect the fixing screws

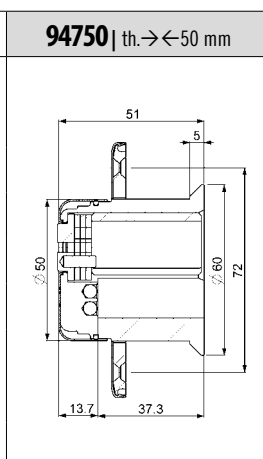
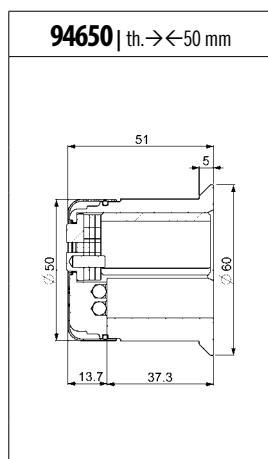
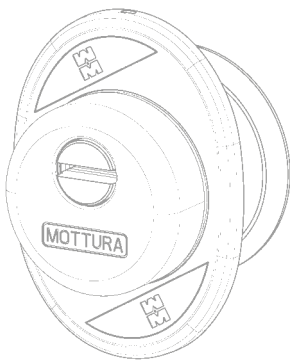
Top System 4 Thicknesses | 8 Finishes



Finish	94630		94730	
	Finish		Finish	
Brass			Brass	
Black			Black	
Chrome Plated			Chrome Plated	
Satin Chrome			Satin Chrome	
Gold			Gold	
Anodised Silver			Anodised Silver	
Anodised Bronze			Anodised Bronze	
PVD Gold			PVD Gold	

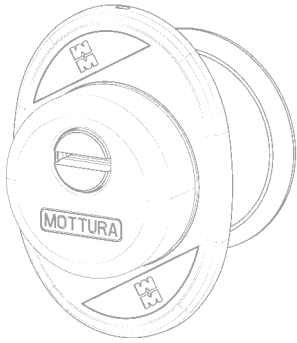


Finish	94640		94740	
	Finish		Finish	
Brass			Brass	
Black			Black	
Chrome Plated			Chrome Plated	
Satin Chrome			Satin Chrome	
Gold			Gold	
Anodised Silver			Anodised Silver	
Anodised Bronze			Anodised Bronze	
PVD Gold			PVD Gold	



Finish	94650		94750	
	Finish		Finish	
Brass			Brass	
Black			Black	
Chrome Plated			Chrome Plated	
Satin Chrome			Satin Chrome	
Gold			Gold	
Anodised Silver			Anodised Silver	
Anodised Bronze			Anodised Bronze	
PVD Gold			PVD Gold	





94660 th. → ← 60 mm	94760 th. → ← 60 mm	Finish	94660	Finish	94760
		Brass		Brass	
		Black		Black	
		Chrome Plated		Chrome Plated	
		Satin Chrome		Satin Chrome	
		Gold		Gold	
		Anodised Silver		Anodised Silver	
		Anodised Bronze		Anodised Bronze	
		PVD Gold		PVD Gold	

Kit TOP SYSTEM



94.650 KIT

Cylinder protection Kit, specific for **SERIES 38** locks, comprising:

- 1 Defender TOP SYSTEM, height 50 mm, black art. 94.650, or gold art. 94.650P
- 1 brass escutcheon art. 95308

Matched with kits 94.650/650P/660/660P, the use of spacers art. 99.256, Ø 60 is advised (contact the company for further information)

Finish	Black	(P) Gold



94.660 KIT

Cylinder protection Kit, specific for **SERIES 38** locks, comprising:

- 1 Defender TOP SYSTEM, height 60 mm, black art. 94.660, or gold art. 94.660P
- 1 brass escutcheon art. 95308

Matched with kits 94.650/650P/660/660P, the use of spacers art. 99.256, Ø 60 is advised (contact the company for further information)

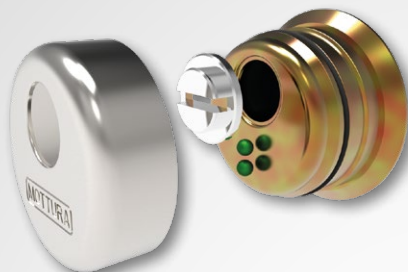
Finish	Black	(P) Gold

T. ZETA

94830 / 840 / 850 / 860 - 94930 / 940 / 950 / 960

Defender®, with a simple zinc alloy structure for easy assembly. Interchangeable with the Defender® Top System, in **4 different thicknesses**, with cone base for **installation in combination with manganese reinforcement plates**.

94830



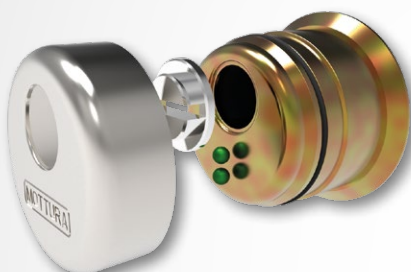
Defender® thickness 30 mm
Two steel balls protect the cylinder body.
Two steel balls protect the fixing screws.

94930



Defender® thickness 30 mm including escutcheon 95402
Two steel balls protect the cylinder body.
Two steel balls protect the fixing screws.

94840



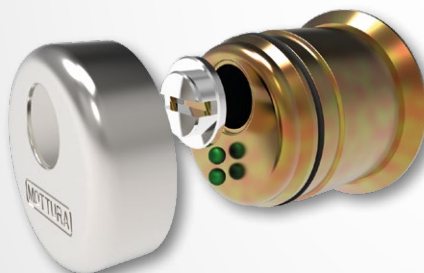
Defender® thickness 40 mm
Two steel balls protect the cylinder body.
Two steel balls protect the fixing screws.

94940



Defender® thickness 40 mm including escutcheon 95402
Two steel balls protect the cylinder body.
Two steel balls protect the fixing screws.

94850



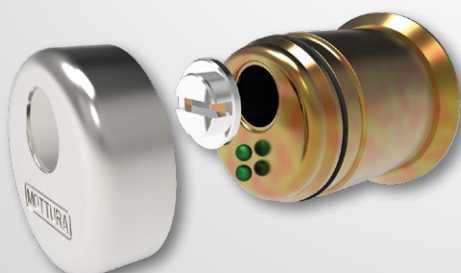
Defender® thickness 50 mm
Two steel balls protect the cylinder body.
Two steel balls protect the fixing screws.

94950



Defender® thickness 50 mm including escutcheon 95402.
Two steel balls protect the cylinder body.
Two steel balls protect the fixing screws.

94860



Defender® thickness 60 mm
Two steel balls protect the cylinder body.
Two steel balls protect the fixing screws.

94960



Defender® thickness 60 mm including escutcheon 95402.
Two steel balls protect the cylinder body.
Two steel balls protect the fixing screws.



The **T. ZETA** protector consists of a zinc alloy **Defender®** available in the version with escutcheon (65 x 90 mm - 94930/40/50/60) or without escutcheon (94830/40/50/60), in 4 thicknesses.

Combine with the appropriate manganese plates.

The cover of the Defender® in aluminium/brass makes **8 different finishes** available for the best possible match with existing handles and knobs.

A rotating chromed washer protects the keyway with a slot available in **two sizes, 3.5 or 5 mm.**

Holes for **M6 fixing screws - Centre distance 38 mm.**



8 Finishes

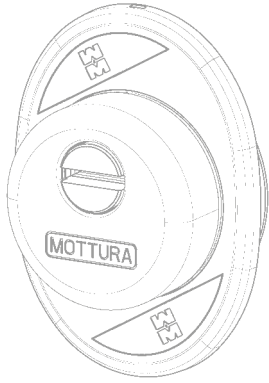
Brass, Chrome, Satin chrome, Gold, Anodized silver, Anodized bronze, Black with chromed washer and PVD Gold with PVD gold washer.



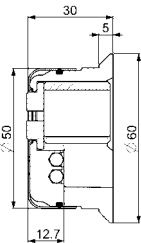
Specifications

	<p>A rotating chromed washer protects the keyway with a slot available in two sizes, 3.5 or 5 mm.</p>		<p>Neutral or Mottura branded escutcheons are available</p>
	<p>Available with M6 fixing screws</p>		<p>All the versions feature two steel balls to protect the fixing screws</p>

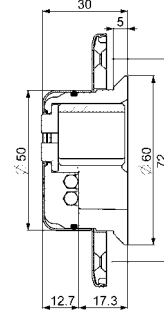
T-Zeta 4 Thicknesses | 8 Finishes



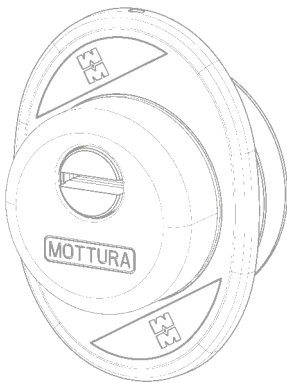
94830 | th. → ← 30 mm



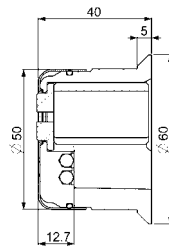
94930 | th. → ← 30 mm



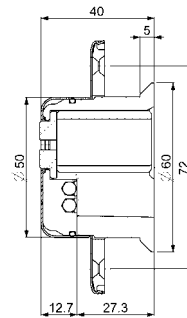
Finish	94830		94930	
	Finish	94830	Finish	94930
Brass			Brass	
Black			Black	
Chrome Plated			Chrome Plated	
Satin Chrome			Satin Chrome	
Gold			Gold	
Anodised Silver			Anodised Silver	
Anodised Bronze			Anodised Bronze	
PVD Gold			PVD Gold	



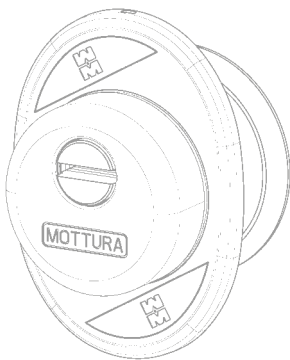
94840 | th. → ← 40 mm



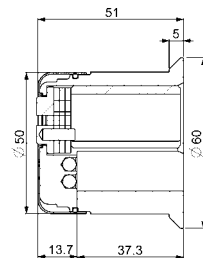
94940 | th. → ← 40 mm



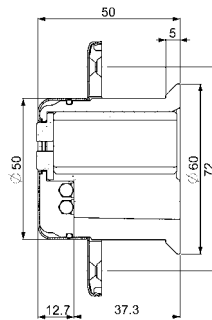
Finish	94840		94940	
	Finish	94840	Finish	94940
Brass			Brass	
Black			Black	
Chrome Plated			Chrome Plated	
Satin Chrome			Satin Chrome	
Gold			Gold	
Anodised Silver			Anodised Silver	
Anodised Bronze			Anodised Bronze	
PVD Gold			PVD Gold	



94850 | th. → ← 50 mm

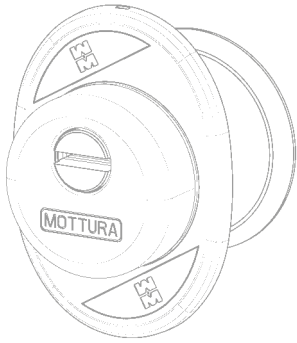


94950 | th. → ← 50 mm



Finish	94850		94950	
	Finish	94850	Finish	94950
Brass			Brass	
Black			Black	
Chrome Plated			Chrome Plated	
Satin Chrome			Satin Chrome	
Gold			Gold	
Anodised Silver			Anodised Silver	
Anodised Bronze			Anodised Bronze	
PVD Gold			PVD Gold	





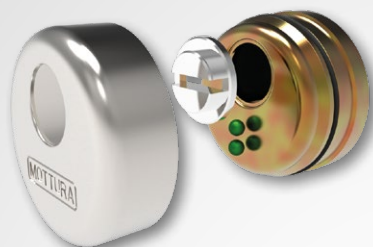
94860 th. → ← 60 mm	94960 th. → ← 60 mm	Finish	
		94860	94960
		Brass	Brass
		Black	Black
		Chrome Plated	Chrome Plated
		Satin Chrome	Satin Chrome
		Gold	Gold
		Anodised Silver	Anodised Silver
		Anodised Bronze	Anodised Bronze
		PVD Gold	PVD Gold

B. ZETA

9411825 / 845 - 94925 / 945

Defender®, with a simple zinc alloy structure for easy assembly. Interchangeable with the Defender® BASIC, in **2 different thicknesses (25/45 mm)** with or without escutcheon.

9411825



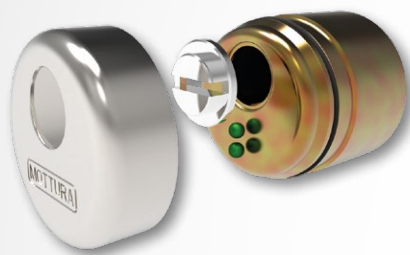
Defender® thickness 25 mm
Two steel balls protect the cylinder body.
Two steel balls protect the fixing screws.

9411925



Defender® thickness 25 mm including escutcheon 95402
Two steel balls protect the cylinder body.
Two steel balls protect the fixing screws.

9411845



Defender® thickness 45 mm
Two steel balls protect the cylinder body.
Two steel balls protect the fixing screws.

9411945



Defender® thickness 45 mm including escutcheon 95402
Two steel balls protect the cylinder body.
Two steel balls protect the fixing screws.



The **B. ZETA** protector consists of a zinc alloy **Defender®** available in the version with escutcheon (65 x 90 mm - 94930/40/50/60) or without escutcheon (94830/40/50/60), in 2 thicknesses.

The cover of the Defender® in aluminium/brass makes **8 different finishes** available for the best possible match with existing handles and knobs.

A rotating chromed washer protects the keyway with a slot available in **two sizes, 3.5 or 5 mm.**

Holes for **M6 fixing screws - Centre distance 38 mm.**



8 Finishes

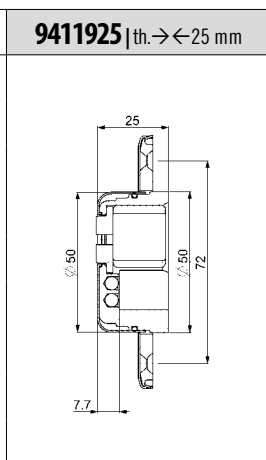
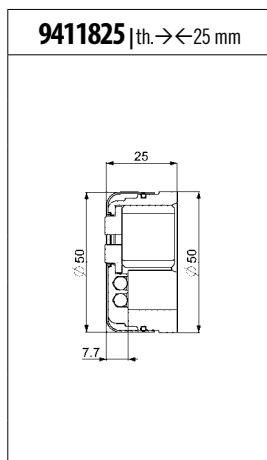
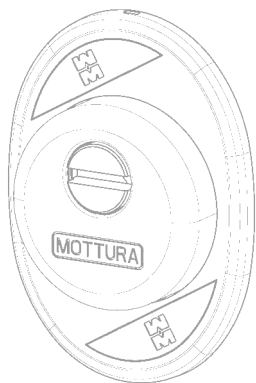
Brass, Chrome, Satin chrome, Gold, Anodized silver, Anodized bronze, Black with chromed washer and PVD Gold with PVD gold washer.



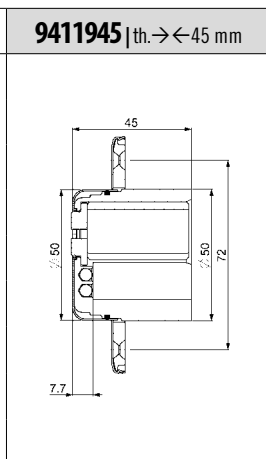
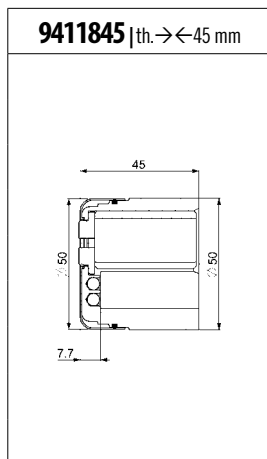
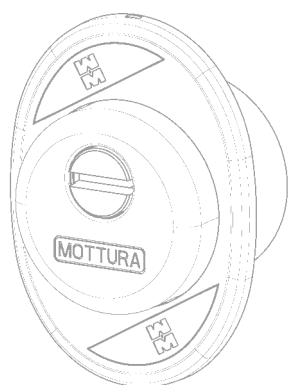
Specifications

	<p>A rotating chromed washer protects the keyway with a slot available in two sizes, 3.5 or 5 mm.</p>		<p>Neutral or Mottura branded escutcheons are available</p>
	<p>Available with M6 fixing screws</p>		<p>All the versions feature two steel balls to protect the fixing screws</p>

B - Zeta 2 Thicknesses | 8 Finishes



Finish	9411825		9411925	
	Finish	9411825	Finish	9411925
Brass			Brass	
Black			Black	
Chrome Plated			Chrome Plated	
Satin Chrome			Satin Chrome	
Gold			Gold	
Anodised Silver			Anodised Silver	
Anodised Bronze			Anodised Bronze	
PVD Gold			PVD Gold	



Finish	9411845		9411945	
	Finish	9411845	Finish	9411945
Brass			Brass	
Black			Black	
Chrome Plated			Chrome Plated	
Satin Chrome			Satin Chrome	
Gold			Gold	
Anodised Silver			Anodised Silver	
Anodised Bronze			Anodised Bronze	
PVD Gold			PVD Gold	



Defender®

Test Report.

All Defenders® have been tested in compliance with the UNI EN 1906 standard and passed the required tests.

ICIM

**Attestato di Prova
Test Certificate**

Attestato N.
Certificate No. **REP-MNL-000472**

ORGANISMO DI CERTIFICAZIONE / CERTIFICATION BODY
ICIM S.p.A.
Piazza Don Enrico Mapelli, 75 - 20099 Sesto San Giovanni (MI) - IT

DATI FABBRICANTE/COMMITENTE / MANUFACTURER/CUSTOMER DETAILS
MOTTURA SERRATURE DI SICUREZZA
Strada Antica di Francia, 34 - 10057 Sant'Ambrogio di Torino (TO) - IT

UNITÀ OPERATIVE / OPERATIVE UNITS
Strada Antica di Francia, 34 - 10057 Sant'Ambrogio di Torino (TO) - IT

DATI PRODOTTO / PRODUCT DETAILS

TIPOLOGIA
TYPE **Protettore DEFENDER**

DENOMINAZIONE
DENOMINATION **DF03xxxxxx, DF05xxxxxx, DF07xxxxxx, DF09xxxxxx, DF11xxxxxx, DF30xxxxxx, DF50xxxxxx**

Caratteristiche: vedi Allegato / Characteristics: see Annex
DOCUMENTO DI RIFERIMENTO / STANDARD
EN 1906:2012 § Annex A

RAPIPORTO DI PROVA / TEST REPORT
REP-MNL-000471

EVENTUALI ESTENSIONI / EXTENSIONS

Questo attestato è valido esclusivamente per il prodotto sopra indicato. Eventuali varianti da apportare devono essere approvate da ICIM S.p.A.
This certificate is valid only for the product above specified. Any technical change must be approved by ICIM S.p.A.

[Presente Allegato A da riferirsi validità solo se accompagnato dal relativo Allegato] / This Certificate is valid only with the relative Annex

ICIM S.p.A.
EMMISSIONE
ISSUE
30/11/2018

ICIM S.p.A. - Piazza Don Enrico Mapelli, 75 - 20099 Sesto San Giovanni (MI)

ICIM

**Attestato di Prova
Test Certificate**

ALLEGATO AL / ANNEX TO
Certificato N.
Certificate N. **REP-MNL-000472**

SERIE SERIES	DEFENDER	
MODELLI MODELS	DF03xxxxxx, DF05xxxxxx, DF07xxxxxx, DF09xxxxxx, DF11xxxxxx, DF30xxxxxx, DF50xxxxxx	
CLASSIFICAZIONE CLASSIFICATION	Annex A - EN 1906	Grado 4 Grade 4
LOTTO DI PRODUZIONE BATCH	11/2018	

ICIM S.p.A.
EMMISSIONE
ISSUE
30/11/2018

ICIM S.p.A. - Piazza Don Enrico Mapelli, 75 - 20099 Sesto San Giovanni (MI)

ICIM

SISTEMI DI PROTEZIONE DEFENDER®

Test report numero: 12071003SG

Data e luogo di emissione: 10/07/2012 Sesto San Giovanni (MI) - Italy

Commissa: AW

Azienda: MOTTURA SERRATURE DI SICUREZZA S.p.A.

Data del test: 10/07/2012

Oggetto: prove su sistemi di protezione DEFENDER® per serrature con cilindro europeo

Luogo di esecuzione: MOTTURA SERRATURE DI SICUREZZA S.p.A.
Strada Antica di Francia, 34
10057 Sant'Ambrogio (TO)

Identificazione del campione: DEFENDER® serie TOP SYSTEM

Index

- 1.0 Riferimenti Normativi
- 2.0 Strumenti di misura
- 3.0 Descrizione del prodotto
- 4.0 Classificazione
- 5.0 Test
- 6.0 Valutazioni finali

ICIM S.p.A. è socio unico
Piazza Don Enrico Mapelli, 75
20099 Sesto San Giovanni (MI)
Tel. +39 02 72041
Fax +39 02 720398
www.icim.it

ICIM S.p.A.
Product Area Inspector
Stefano Gelpi

ICIM S.p.A.
Product Area Manager
Ing. Massimiliano Florio

Capitale Sociale
€ 200.000.000, versato ed esistente
C.F. P.IVA e Iscritt. Reg. Imprese
di Milano n. 1206220151
R.E.A. n. 198202

CE ACCREDITED

ISO 9001:2015 Verificato
ISO 14001:2015 Verificato
ISO 45001:2018 Verificato
DIP n. 107484
RF n. 11/2008

AMBITO CERTIFICAZIONE CISA e
TQNET

Page 1 of 13
eurocar-building

ICIM

SISTEMI DI PROTEZIONE DEFENDER®

Test report numero: 12071001SG

Data e luogo di emissione: 10/07/2012 Sesto San Giovanni (MI) - Italy

Commissa: AW

Azienda: MOTTURA SERRATURE DI SICUREZZA S.p.A.

Data del test: 10/07/2012

Oggetto: prove su sistemi di protezione DEFENDER® per serrature con cilindro europeo

Luogo di esecuzione: MOTTURA SERRATURE DI SICUREZZA S.p.A.
Strada Antica di Francia, 34
10057 Sant'Ambrogio (TO)

Identificazione del campione: DEFENDER® serie BASIC

Index

- 1.0 Riferimenti Normativi
- 2.0 Strumenti di misura
- 3.0 Descrizione del prodotto
- 4.0 Classificazione
- 5.0 Test
- 6.0 Valutazioni finali

ICIM S.p.A. è socio unico
Piazza Don Enrico Mapelli, 75
20099 Sesto San Giovanni (MI)
Tel. +39 02 72041
Fax +39 02 720398
www.icim.it

ICIM S.p.A.
Product Area Inspector
Stefano Gelpi

ICIM S.p.A.
Product Area Manager
Ing. Massimiliano Florio

Capitale Sociale
€ 200.000.000, versato ed esistente
C.F. P.IVA e Iscritt. Reg. Imprese
di Milano n. 1206220151
R.E.A. n. 198202

CE ACCREDITED

ISO 9001:2015 Verificato
ISO 14001:2015 Verificato
ISO 45001:2018 Verificato
DIP n. 107484
RF n. 11/2008

AMBITO CERTIFICAZIONE CISA e
TQNET

Page 1 of 13
eurocar-building

ICIM

SISTEMI DI PROTEZIONE DEFENDER®

Test report numero: 12071002SG

Data e luogo di emissione: 10/07/2012 Sesto San Giovanni (MI) - Italy

Commissa: AW

Azienda: MOTTURA SERRATURE DI SICUREZZA S.p.A.

Data del test: 10/07/2012

Oggetto: prove su sistemi di protezione DEFENDER® per serrature con cilindro europeo

Luogo di esecuzione: MOTTURA SERRATURE DI SICUREZZA S.p.A.
Strada Antica di Francia, 34
10057 Sant'Ambrogio (TO)

Identificazione del campione: DEFENDER® serie TZ

Index

- 1.0 Riferimenti Normativi
- 2.0 Strumenti di misura
- 3.0 Descrizione del prodotto
- 4.0 Classificazione
- 5.0 Test
- 6.0 Valutazioni finali

ICIM S.p.A. è socio unico
Piazza Don Enrico Mapelli, 75
20099 Sesto San Giovanni (MI)
Tel. +39 02 72041
Fax +39 02 720398
www.icim.it

ICIM S.p.A.
Product Area Inspector
Stefano Gelpi

ICIM S.p.A.
Product Area Manager
Ing. Massimiliano Florio

Capitale Sociale
€ 200.000.000, versato ed esistente
C.F. P.IVA e Iscritt. Reg. Imprese
di Milano n. 1206220151
R.E.A. n. 198202

CE ACCREDITED

ISO 9001:2015 Verificato
ISO 14001:2015 Verificato
ISO 45001:2018 Verificato
DIP n. 107484
RF n. 11/2008

AMBITO CERTIFICAZIONE CISA e
TQNET

Page 1 of 13
eurocar-building

ICIM

SISTEMI DI PROTEZIONE DEFENDER®

Test report numero: 12071101SG

Data e luogo di emissione: 11/07/2012 Sesto San Giovanni (MI) - Italy

Commissa: AW

Azienda: MOTTURA SERRATURE DI SICUREZZA S.p.A.

Data del test: 11/07/2012

Oggetto: prove su sistemi di protezione DEFENDER® per serrature con cilindro europeo

Luogo di esecuzione: MOTTURA SERRATURE DI SICUREZZA S.p.A.
Strada Antica di Francia, 34
10057 Sant'Ambrogio (TO)

Identificazione del campione: DEFENDER® a molla

Index

- 1.0 Riferimenti Normativi
- 2.0 Strumenti di misura
- 3.0 Descrizione del prodotto
- 4.0 Classificazione
- 5.0 Test
- 6.0 Valutazioni finali

ICIM S.p.A. è socio unico
Piazza Don Enrico Mapelli, 75
20099 Sesto San Giovanni (MI)
Tel. +39 02 72041
Fax +39 02 720398
www.icim.it

ICIM S.p.A.
Product Area Inspector
Stefano Gelpi

ICIM S.p.A.
Product Area Manager
Ing. Massimiliano Florio

Capitale Sociale
€ 200.000.000, versato ed esistente
C.F. P.IVA e Iscritt. Reg. Imprese
di Milano n. 1206220151
R.E.A. n. 198202

CE ACCREDITED

ISO 9001:2015 Verificato
ISO 14001:2015 Verificato
ISO 45001:2018 Verificato
DIP n. 107484
RF n. 11/2008

AMBITO CERTIFICAZIONE CISA e
TQNET

Page 1 of 12
eurocar-building

Defender[®]

3D Key



This is the **Defender[®]** created exclusively for **3DKey locks**.
2 versions with thickness 25 mm.





The **Defender®** protector was created exclusively for 3DKey locks in two different versions:

- 1 - Steel monobloc diameter 50 mm, thickness 25 mm, with **Black finish only**, accepts **the use of all types of 3DKeys**
- 2 - This protector meets the Mottura standard with steel **Defender®** diameter 50 mm with aluminium/brass cover that allows **8 different finishes** for the best possible combination with existing handles and knobs. The special keyway **for special 3DKeys** allows the use of keys with a minimum stem length of 30 mm.

Holes for **M4 fixing screws**. Centre distance 25 mm. Special M4 x 20 screws included.

8 Finishes

Brass, Chrome, Satin chrome, Gold, Anodized silver, Anodized bronze, Black and PVD Gold .



OT Brass **CR** Polished Chrome **PV** PVD Gold **CS** Satin Chrome **AA** Anod. Silver **P** Gold **B** Anod. Bronze **N** black



94.924N

Defender® Ø 50 reinforcement for 3DKey locks Thickness 25 mm. Centre distance of fixing holes 25 mm
Including 2 special M4x20 screws.



Finish	Black
---------------	-------



94.925..

Defender® Ø 50 reinforcement for 3DKey locks. Thickness 25 mm. Centre distance of fixing holes 25 mm. **Including 2 special M4x20 screws.**
N.B. Use keys with at least a 30 mm shank



Finish	Brass	Black	Polished Chrome	Satin Chrome	Gold	Anod. Silver	Anod. Bronze	PVD Gold
---------------	-------	-------	-----------------	--------------	------	--------------	--------------	----------



94.1121

Spacer thickness 2.5 mm for Defender® 94.924 diam. 50 mm
Pack of 25 pieces

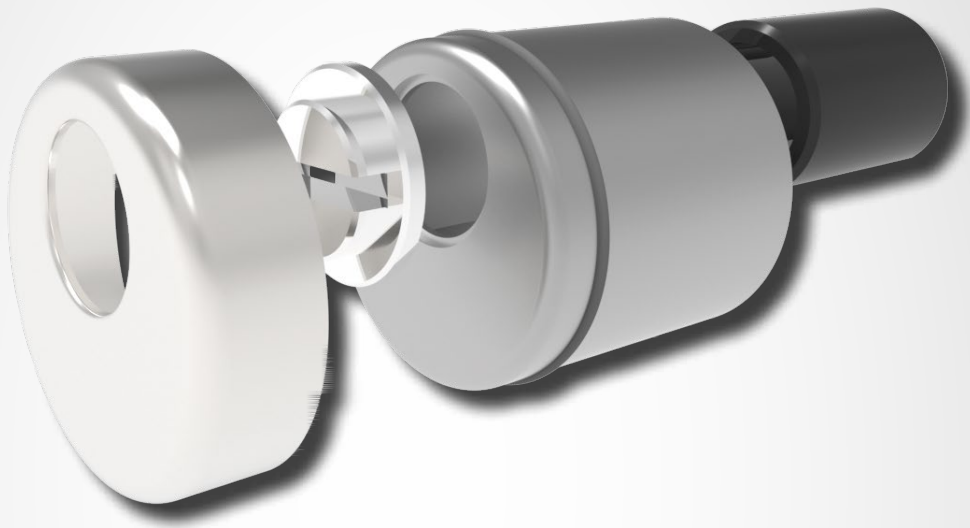


Finish	Zinc-plated
---------------	-------------

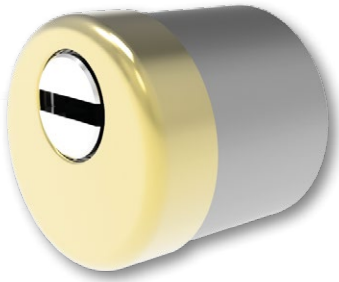


Defender[®]

Series 32



This is the exclusive **Defender[®]** for vertical locks
Mottura Series 32. **Reduced diameter of 42 mm.**
Single version with thickness 40 mm



The **Defender®** protector created for the Series 32 (vertical locks) includes a steel Defender® with a reduced diameter of 42 mm and a cover with **2 different finishes**.

A rotating chromed washer protects the keyway with a slot available in **two sizes, 3.5 or 5 mm**.

Holes for **M4 fixing screws - centre distance 25 mm**.
M4 x 20 screws included.

8 Finishes

Satin chrome and PVD Gold with PVD gold washer.


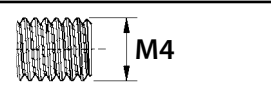


PV
PVD Gold



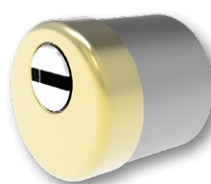
CS
Satin chrome

Specifications

	<p>A rotating chromed washer protects the keyway with a slot available in two sizes, 3.5 or 5 mm.</p>
	<p>Available with M4 fixing screws</p>



94.11200	
<p>Spacer thickness mm. 2.5 for Defender® Ø 42 mm - art. 94.11818 holes centre distance mm 25 Package of 25</p>	
Finish	Zinc-plated



94.11818		
<p>Reinforcement Defender® Ø 42 for 32.590/690 Height 40 mm. Fixing hole centre distance 25 mm. Including 2 special M4x20 screws. Protection on the backset mm 6. Chrome washer with backset slot 3.5 or 5 mm (specify in order).</p>		
Finish	PVD Gold	Satin chrome

 **Defender**[®]
Series 32, 37, 47



This is the ideal **Defender**[®] for locks for sliding and swing doors and windows.

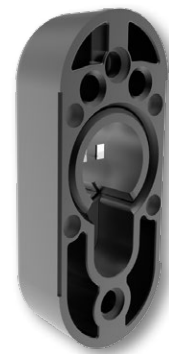


The **Defender®** protector to be used on Series 32, 37, 47 locks.

It works with two types of Defender®, one in **Zamak** and one in (HRC 53) high resistance steel.

A rotating chromed washer protects the keyway with a slot available in two **sizes, 3.5 or 5 mm.**

Holes for **M6 fixing screws.**


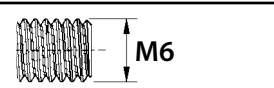
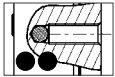


ZAMAK
(94.920)



STEEL
(94.922)

Specifications

	<p>A rotating chromed washer protects the keyway with a slot available in two sizes, 3.5 or 5 mm.</p>	
	<p>Available with M6 fixing screws</p>	 <p>All the versions feature two steel balls to protect the fixing screws</p>



94.920

Zamak reinforcement Defender®
mm 32 x 75 x 18.5
 for **series 32-37-47**
 backset protection: 6 mm
 Backset slot of 3.5 or 5 mm
 (specify in order)

Finish	Black
---------------	-------



94.921

Zamak reinforcement Defender®
mm 32 x 75 x 18.5
 for art. **47.902**
 backset protection: 6 mm
 Backset slot of 3.5 or 5 mm
 (specify in order)

Finish	Black
---------------	-------



94.922

Steel reinforcement Defender®
mm 32 x 75 x 18.5
 for **series 32-37-47**
 backset protection: 6 mm
 Backset slot of 3.5 or 5 mm
 (specify in order)

Finish	Black
---------------	-------



94.11101..

Spacer for Defender® 94.920
Package of 25

Codice	9411101	9411101/1
Finish	Black	Black
Th. (mm)	2,5	1



94.KIT902/1

Half cylinder protection kit, specific for locks art. 47.902
 comprising:
 • N° 1 Defender® art. 94.921
 • N° 1 Defender® mount art. 99.260

Finish	Black
---------------	-------



94.KIT902/2

Protection kit for **tubulars 30x40** with double cylinder,
 specific for locks art. 47.902, comprising:
 • N° 1 Defender® art. 94.920
 • N° 1 Defender® mount art. 99.263
 • N° 1 internal escutcheon art 95.421
 • N° 1 pair of wrench-resistant screws art. 99.261

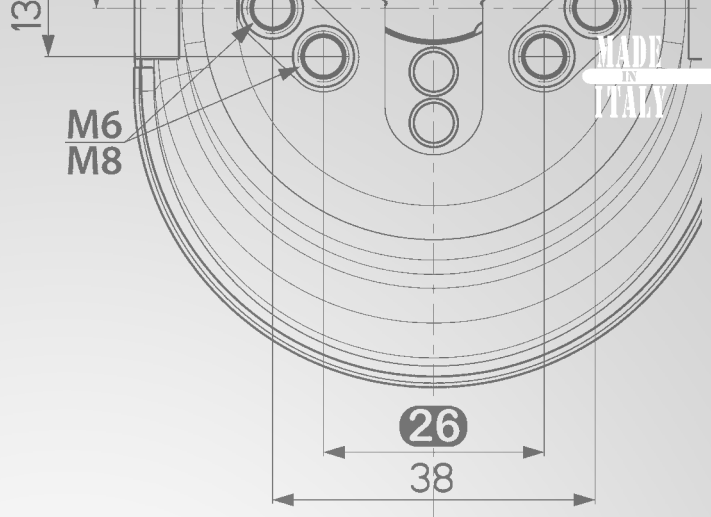
Finish	Black
---------------	-------



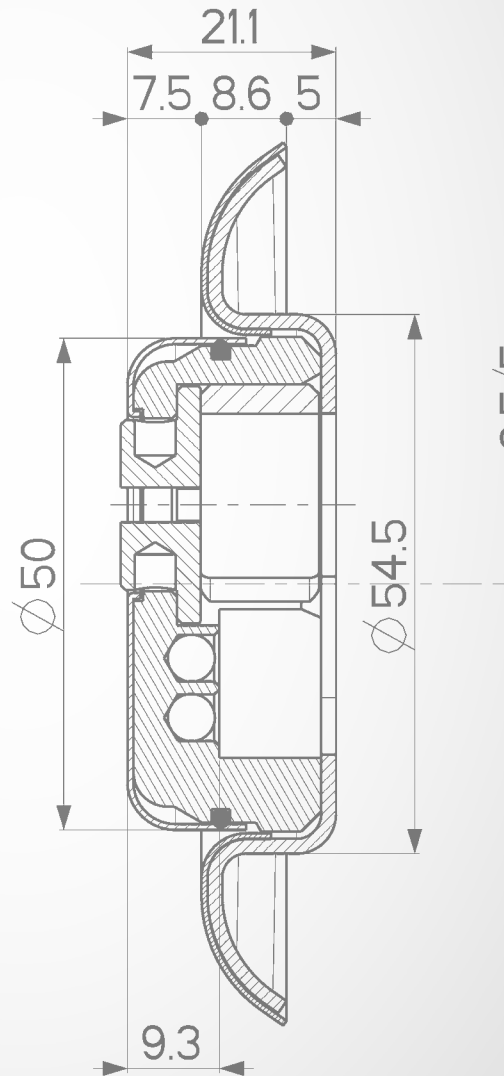
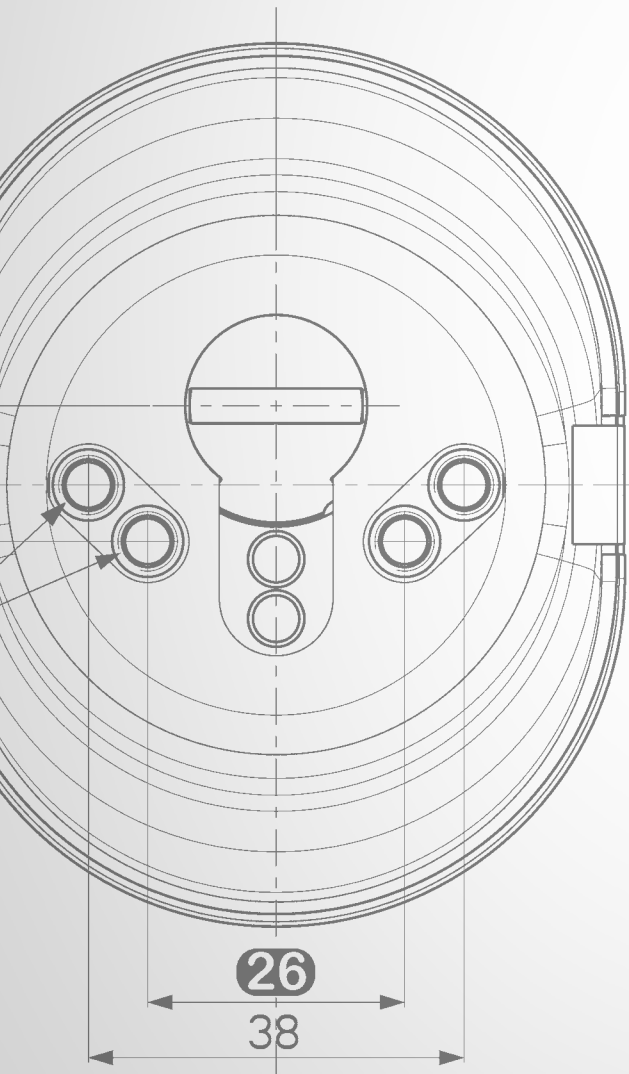
94.KIT902/3

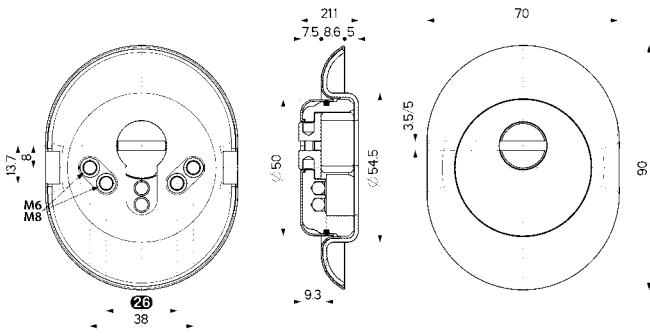
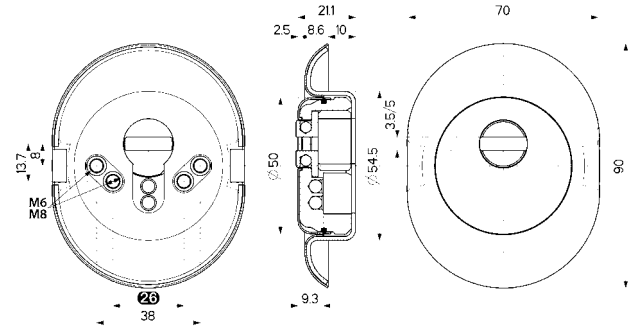
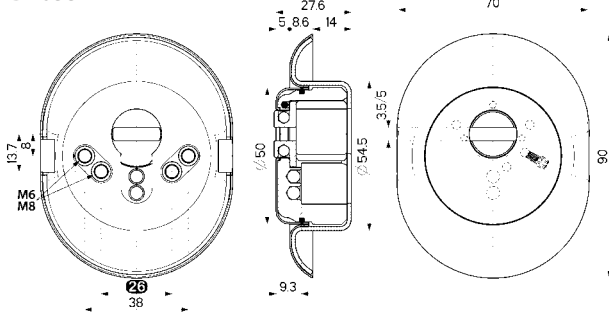
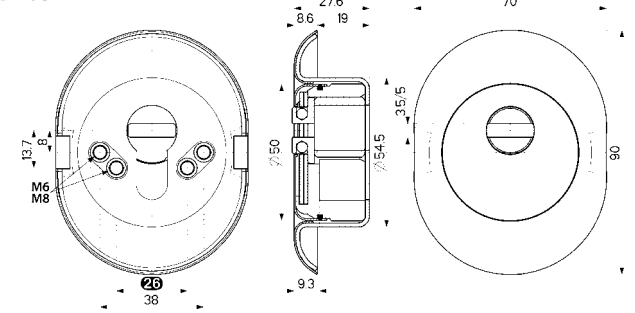
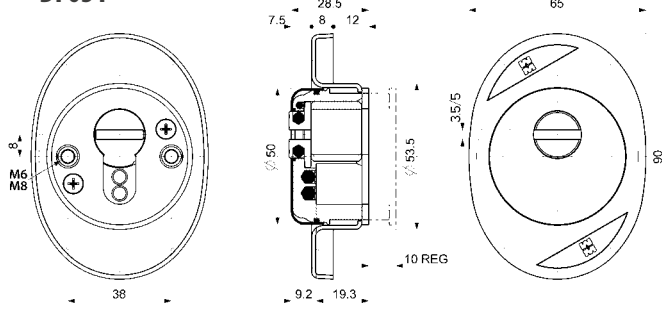
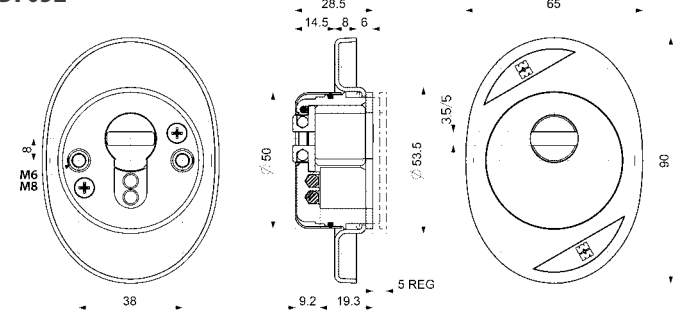
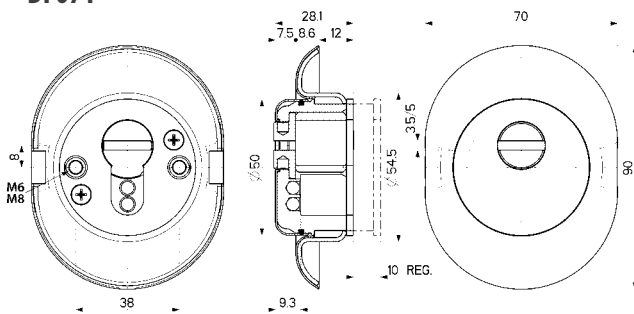
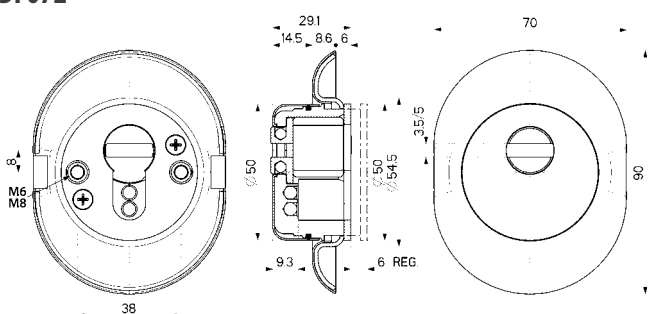
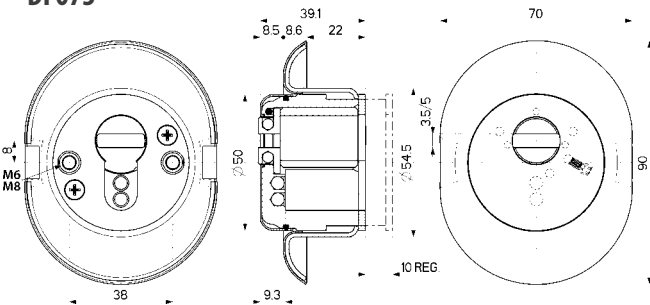
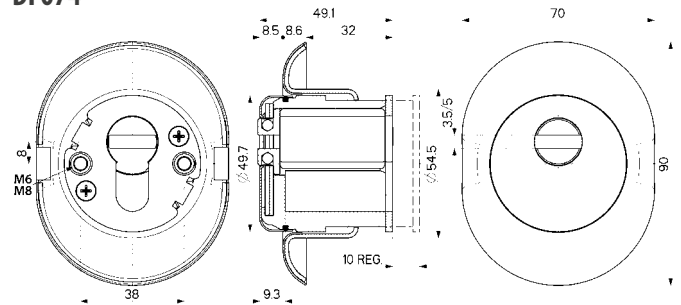
Protection kit for **tubulars 40x40** with double cylinder,
 specific for locks art. 47.902, comprising:
 • N° 1 Defender® art. 94.920
 • N° 1 Defender® mount art. 99.263/40
 • N° 1 internal escutcheon art 95.421
 • N° 1 pair of wrench-resistant screws art. 99.261/40

Finish	Black
---------------	-------

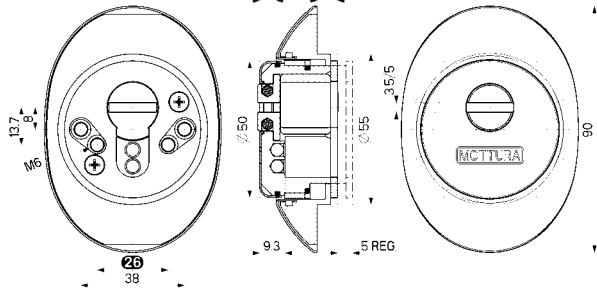


Defender®
Technical sheets

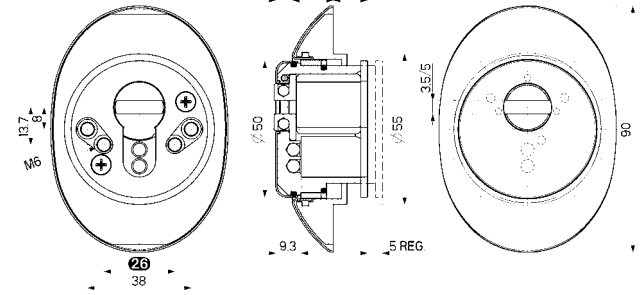


DF031

DF032

DF033

DF034

DF051

DF052

DF071

DF072

DF073

DF074


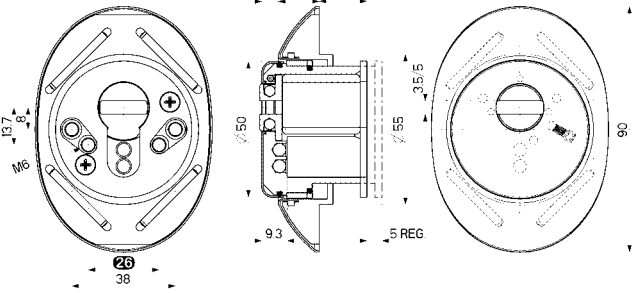
DF091



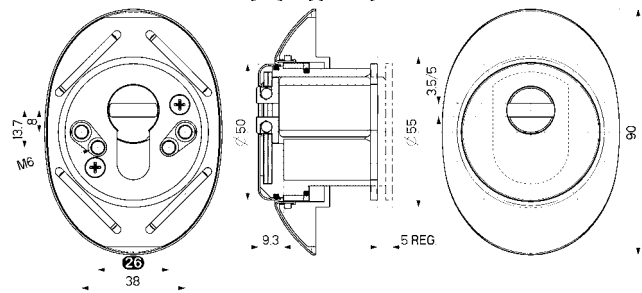
DF092



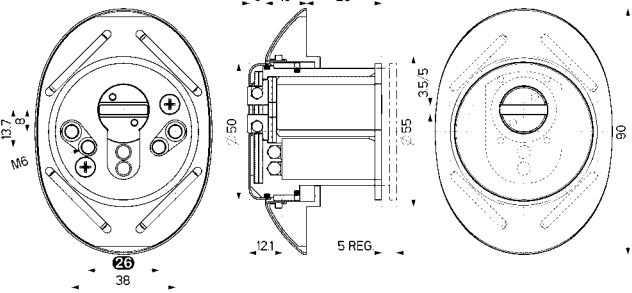
DF093



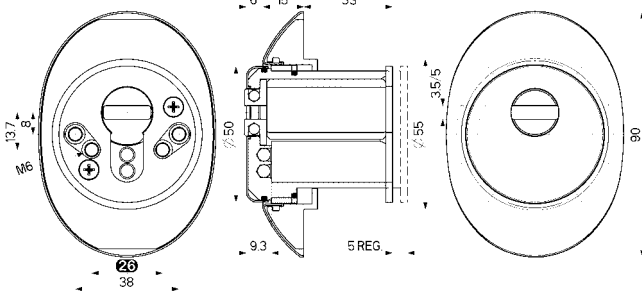
DF094



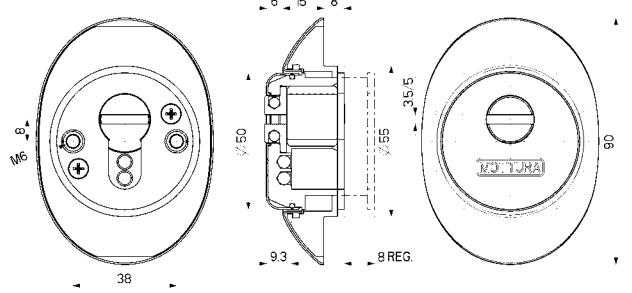
DF095



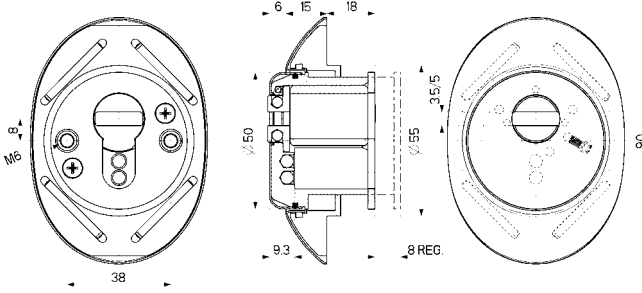
DF096



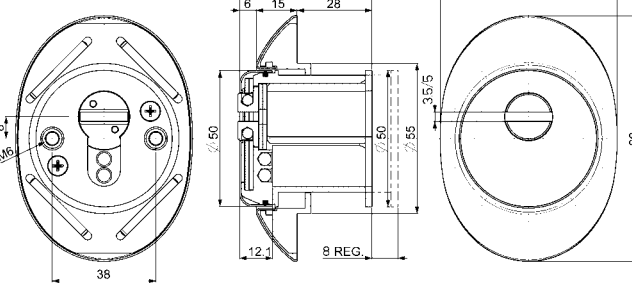
DF111



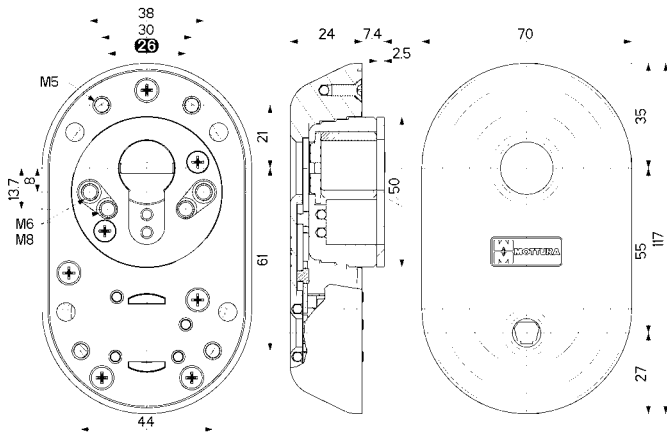
DF112



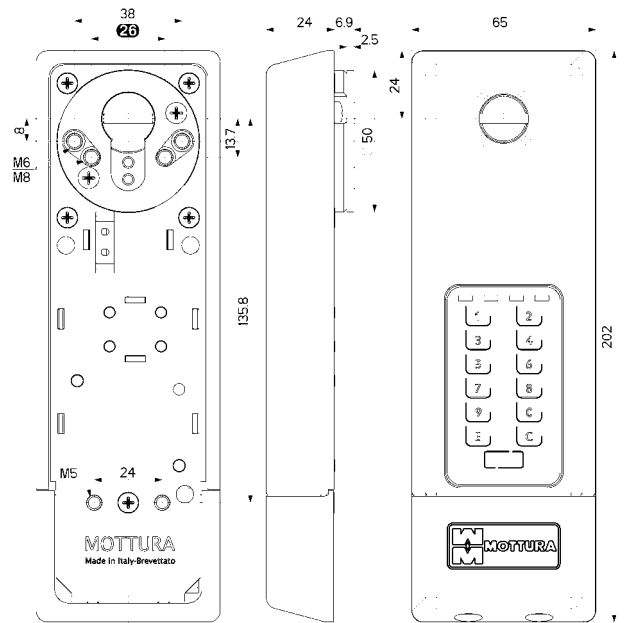
DF113



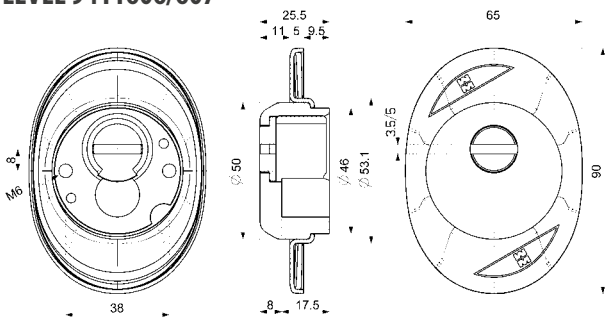
DF301



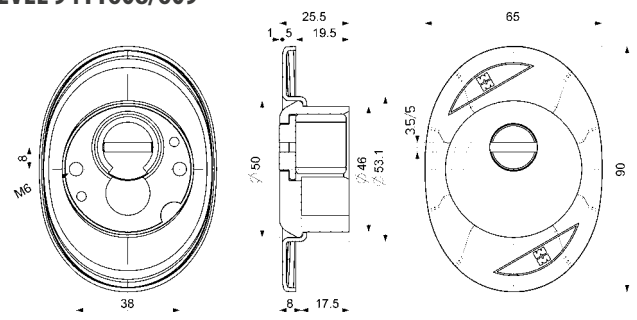
DF501



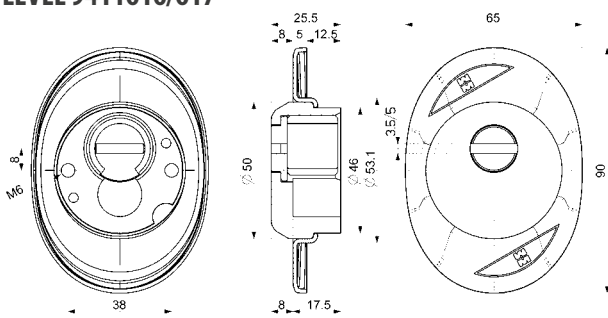
LEVEL 9411606/607



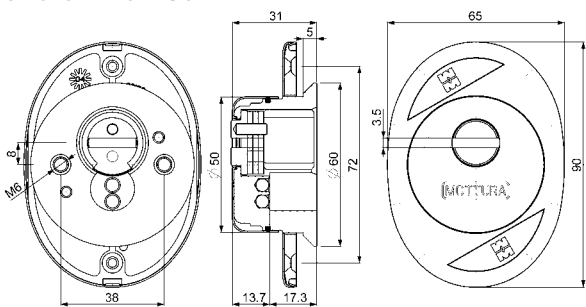
LEVEL 9411608/609



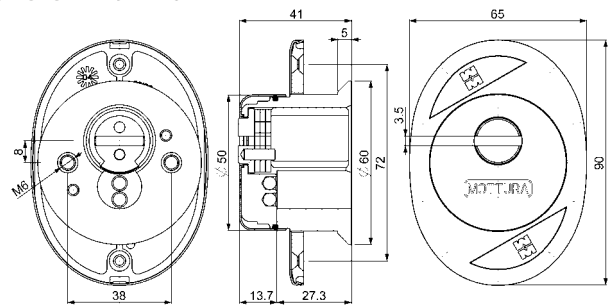
LEVEL 9411616/617

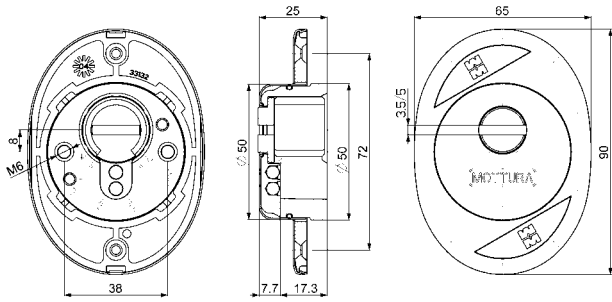
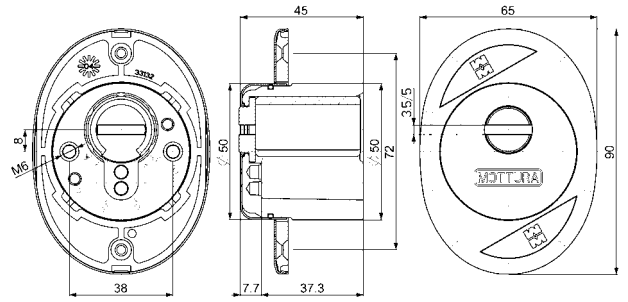
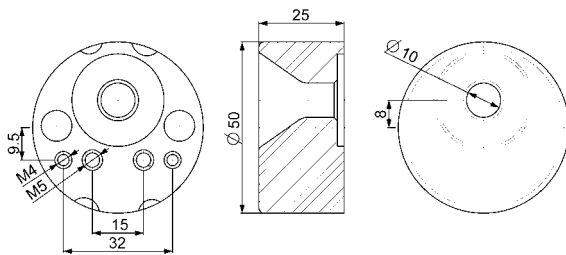
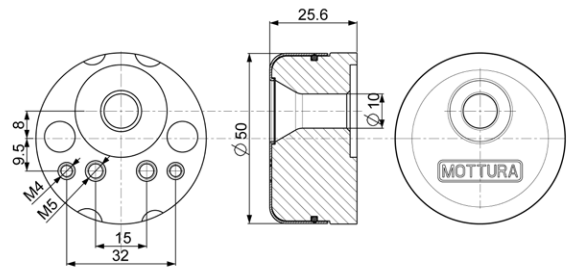
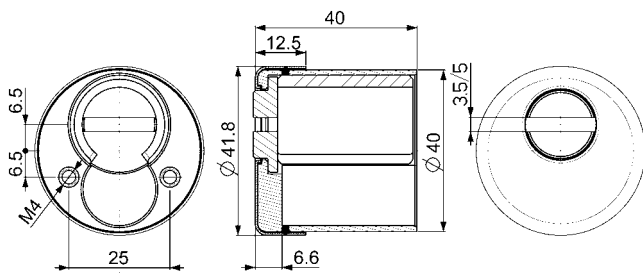
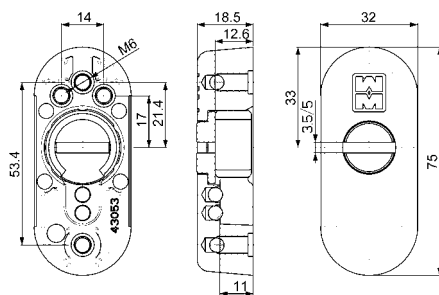
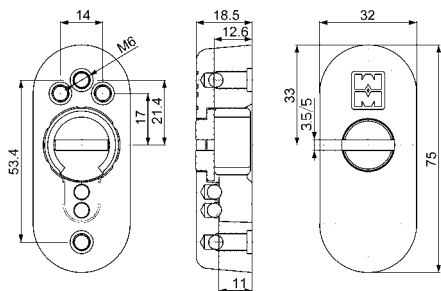


TOP SYSTEM 94730



TOP SYSTEM 94740



B. ZETA 9411925

B. ZETA 9411945

3DKEY 94924

3DKEY 94925

9411818

94920/921

94922


 **Defender**[®]
Accessories




94.11108

Spacer thickness mm 2.5 - for M6/M8
for Defender® Ø 50
holes centre distance mm 38
Package of 25

Finish	Zinc-plated
---------------	-------------


94.503

Internal burglar-proof rose
for cylinder with knob - thickness 4 mm.
N.B. fitting on cylinders with inside length that does not exceed
the door edge. Match escutcheon art. 95.303
Package of 10

Finish	Zinc-plated
---------------	-------------


94.11108/1

Spacer thickness mm 1 - for M6/M8
for Defender® Ø 50
holes centre distance mm 38
Package of 25

Finish	Zinc-plated
---------------	-------------


94.512

Internal burglar-proof rose
for double cylinder - thickness 4 mm.
Match escutcheon art. 95.304
Package of 10

Finish	Zinc-plated
---------------	-------------


94.11200

Spacer thickness mm. 2.5
for Defender® Ø 42 mm - art. 94.11818
holes centre distance mm 25
Package of 25

Finish	Zinc-plated
---------------	-------------


94.601..

Defender® internal fixing rose
for cylinder with knob
Length 25/31/38/41 mm (specify in the order)
Match escutcheon art. 95.403
Package of 10


94.11300

Spacer thickness mm 2.5 - for M6/M8
for Defender® Ø 50
holes centre distance mm 26/38
Package of 25

Finish	Zinc-plated
---------------	-------------


94.602..

Defender® internal fixing rose
for double cylinder
Length 25/31/38/41 mm (specify in the order)
Match escutcheon art. 95.404
Package of 10


94.501..

Defender® internal fixing rose
for cylinder with knob
Length 25/31/38/41 mm (specify in the order)
Match escutcheon art. 95.303
Package of 10


94.603

Defender® internal fixing rose
for cylinder with knob - thickness 4 mm.
N.B. fitting on cylinders with inside length that does not exceed
the door edge. Match escutcheon art. 95.403
Package of 10

Finish	Zinc-plated
---------------	-------------


94.502..

Defender® internal fixing rose
for double cylinder
Length 25/31/38/41 mm (specify in the order)
Match escutcheon art. 95.304
Package of 10


94.612

Defender® internal fixing rose
for double cylinder - thickness 4 mm.
Match escutcheon art. 95.404
Package of 10

Finish	Zinc-plated
---------------	-------------



99.066D/S

Plate (holes Ø6) + cylinder fastening screw
for cylinder locks with Mottura fitting fixing
The item is supplied left or right-hand (specify in the order)
Package of 10

Finish	Zinc-plated
---------------	-------------



99.313/L

M8 screws for cylinder reinforcement (price per screw)
Package of 50

Length [mm]	40	45	50	60	70	80	90	100
--------------------	----	----	----	----	----	----	----	-----



99.066D/SM8

Plate (holes Ø8) + cylinder fastening screw
for cylinder locks with Mottura fitting fixing
The item is supplied left or right-hand (specify in the order)
Package of 10

Finish	Zinc-plated
---------------	-------------



99.314

Cylinder external fixing plate
Diameter Ø 50 - thickness 2.5 mm.
Specific for locks art. 85555.
Package of 25

Finish	Zinc-plated
---------------	-------------



99.067D/SM8

Plate (holes Ø8) + cylinder fastening screw
for cylinder locks thickness 25 mm
with Mottura fitting fixing
The item is supplied left or right-hand (specify in the order)
Package of 10

Finish	Zinc-plated
---------------	-------------



95.170..

Escutcheon **62 x 180 mm for Europrofile cylinder locks**
with Ø 50 Defender hole and handle hole centre distance 85 mm
including plastic support, fixed knob ring and
3 adaptor rings for handles Ø 15.5-16.5-18.5 mm
Package of 5

Finish	Anod. Silver	Anod. Bronze	Brass	Chrome	Satin Chrome
---------------	--------------	--------------	-------	--------	--------------



99.070N

Cylinder fastening screws
for 84 series locks
with Mottura fitting fixing
Package of 10

Finish	Zinc-plated
---------------	-------------



95.171..

Escutcheon **62 x 180 mm for Europrofile cylinder locks**
with Ø 50 Defender hole, including plastic support
WITHOUT HANDLE HOLE
Package of 5

Finish	Anod. Silver	Anod. Bronze	Brass	Chrome	Satin Chrome
---------------	--------------	--------------	-------	--------	--------------



99.256

Spacer thickness 2.5 mm
for TOP SYSTEM Ø 60 Defender®.
Package of 25

Finish	Zinc-plated
---------------	-------------



95.172..

Escutcheon **62 x 180 mm for Europrofile cylinder locks**
with handle hole centre distance Ø 85
including plastic support and
3 adaptor rings for handles Ø 15.5-16.5-18.5 mm
Package of 5

Finish	Anod. Silver	Anod. Bronze	Brass	Chrome	Satin Chrome
---------------	--------------	--------------	-------	--------	--------------



99.293/L

M6 screws for cylinder reinforcement (price per screw)
Package of 50

Length [mm]	40	45	50	60	70	80	90	100
--------------------	----	----	----	----	----	----	----	-----



95.173..

Escutcheon **62 x 180 mm for Europrofile cylinder lock**
including plastic support
WITHOUT HANDLE HOLE.
Package of 5

Finish	Anod. Silver	Anod. Bronze	Brass	Chrome	Satin Chrome
---------------	--------------	--------------	-------	--------	--------------

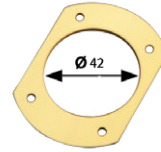
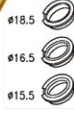


95.174..

Escutcheon **62 x 180 mm** for Europrofile cylinder locks with \varnothing 17 mm hole and handle hole centre distance 85 mm including plastic support and 3 adaptor rings for handles \varnothing 15.5-16.5-18.5 mm

Package of 5

Finish	Anod. Silver	Anod. Bronze	Brass	Chrome	Satin Chrome



95.316/42..

Flat escutcheon **52 x 70 mm** hole \varnothing 42 mm.

Package of 10

Finish	PVD Gold	Satin Chrome



95.175..

Escutcheon **62 x 180 mm** for Europrofile cylinder locks with \varnothing 17 mm hole, including plastic support WITHOUT HANDLE HOLE.

Package of 5

Finish	Anod. Silver	Anod. Bronze	Brass	Chrome	Satin Chrome



95.317..

Flat escutcheon **\varnothing 81 mm** for Europrofile cylinder

Package of 10

Finish	Anod. Bronze	Brass



95.297..

Escutcheon **52 x 64 mm** for Europrofile cylinder.

Package of 10

Finish	Anod. Silver	Anod. Bronze	Brass



95.321..

External escutcheon **52 x 70 mm** with \varnothing 9.5 mm hole, with plastic support

Package of 10

Finish	Anod. Silver	Anod. Bronze	Brass	Satin Chrome



95.297B..

Barrel escutcheon **52 x 70 mm** for Europrofile cylinder.

Package of 10

Finish	Anod. Bronze	Brass



95.396..

Drawn escutcheon **52 x 70 mm**, for Europrofile cylinder, with plastic support

Package of 10

Finish	Anod. Silver	Anod. Bronze	Brass	Chrome	Satin Chrome



95.304..

Internal escutcheon **\varnothing 65 mm** screw cover for Europrofile cylinder with key Suitable with rose art. 94502/25/31/38/41 - 94512

Package of 10

Finish	Anod. Bronze	Brass



95.397..

Escutcheon **52 x 70 mm** for Europrofile cylinder, with plastic support

Package of 10

Finish	Anod. Silver	Anod. Bronze	Brass	Chrome	Satin Chrome	Anod. Black	PVD gold



95.308..

External flat barrel escutcheon **60 x 70 mm** with \varnothing 50 mm hole For locks art. 36.255/256, series 62, 45.750/1170/1200 and on Defender® \varnothing 50 protections

Package of 10

Finish	Anod. Bronze	Brass



95.402..

External escutcheon **65 x 90 mm** with plastic support with hole for Defender® \varnothing 50 mm.

Package of 10

Finish	Anod. Silver	Anod. Bronze	Brass	Chrome	Satin Chrome	Anod. Black	Gold	PVD gold

95.403..



Internal escutcheon **65 x 90 mm hole Ø 17**
with plastic support.
Suitable with roses art. 94.601/25/31/38/41 - 94.603.
Package of 10

Finish	Anod. Silver	Anod. Bronze	Brass	Chrome	Satin Chrome	Anod. Black	Gold

95.423..



Internal/external escutcheon **70 x 95 x 15 mm**
for Europrofile cylinder.
Central body in black or gray finish.
Add G for gray insignia to the code.

Finish	(BR) Anod. Bronze	(CR) Chrome	(OT) Brass	(PV) PVD oro	(AA) Anod. Silver	(CS) Satin Chrome

95.404..



Internal escutcheon **65 x 90 mm** for Europrofile cylinder screw cover,
WITHOUT plastic support.
Suitable with roses art. 94.602/25/31/38/41 - 94.612.
Package of 10

Finish	Anod. Silver	Anod. Bronze	Brass	Chrome	Satin Chrome	Anod. Black	Gold

95.424..



External escutcheon **70 x 95 x 15 mm**
with Ø 50 mm hole for Defender®.
Central body in black or gray finish.
Add G for gray insignia to the code.

Finish	(BR) Anod. Bronze	(CR) Chrome	(OT) Brass	(PV) PVD oro	(AA) Anod. Silver	(CS) Satin Chrome

95.416..



Drawn escutcheon **65 x 90 mm**,
for Europrofile cylinder, with plastic support.
Package of 10

Finish	Anod. Silver	Anod. Bronze	Brass	Chrome	Satin Chrome	Anod. Black	Gold



95.428

Internal escutcheon **mm 32 x 75 x 8.5**
including special metal support
for series 32
Package of 10

Finish	Black

95.417..



Escutcheon **65 x 90 mm** for Europrofile cylinder,
with plastic support.
Package of 10

Finish	Anod. Silver	Anod. Bronze	Brass	Chrome	Satin Chrome	Anod. Black	Gold



95.428P

Internal escutcheon **mm 32 x 75 x 8.5**
including special metal support
for cylinders with knob
for series 32
Package of 10

Finish	Black

95.420



External/internal escutcheon **mm 32 x 75 x 8.5**
including metal support
for series 32, 37, 47
Package of 10

Finish	Black

95.429P



Internal escutcheon **mm 32 x 75 x 8.5**
with metal support
for cylinders with knob
for series 37, 47
Package of 10

Finish	Black

95.421



Internal escutcheon **mm 32 x 75 x 8.5**
including special metal support
for art. 47.902
Package of 10

Finish	Black

95.600



Rectangular escutcheon **65 x 90 x 9 mm**
Full plastic support for
euro profile cylinder
Package of 1

Finish	(CR) Chrome	(PV) PVD gold	(CS) Satin Chrome


95.601

Rectangular escutcheon **65 x 90 x 9 mm**
Full plastic support for cylinder with knob.

Package of 1

Finish	(CR) Chrome	(PV) PVD gold	(CS) Satin Chrome


94.054D/S

Manganese steel plate for art. 85.595 suitable for Defender® Top System (upper and lower hole).

Dimensions 139x276x2 mm

The item is supplied left or right-hand (specify in the order)


95.603

Rectangular escutcheon **65 x 90 x 9 mm**
Full plastic support with Ø 50 mm hole for Defender®

Package of 1

Finish	(CR) Chrome	(PV) PVD gold	(CS) Satin Chrome


94.055D/S

Manganese steel plate for art. 54.587 and 54.597 Suitable for Defender® Top System

Dimensions 139x276x2 mm

The item is supplied left or right-hand (specify in the order)


95.604

Rectangular escutcheon **65 x 90 x 9 mm**
Full plastic support with Ø 45 mm hole for Defender®

Package of 1

Finish	(CR) Chrome	(PV) PVD gold	(CS) Satin Chrome


94.056D/S

Manganese steel plate for art. 64.597 with backset protection (upper hole Ø53) suitable for Defender® Top System (lower hole).

Dimensions 188x323x2 mm

The item is supplied left or right-hand (specify in the order)


94.051D/S

Manganese steel plate for art. 54.584 with backset protection (upper hole Ø53) Suitable for Defender® Top System (lower hole).

Dimensions 139x423x2 mm

The item is supplied left or right-hand (specify in the order)


94.057D/S

Manganese steel plate for art. 54.587/597 with backset protection (upper hole Ø53) suitable for Defender® Top System (lower hole).

Dimensions 139x276x2 mm

The item is supplied left or right-hand (specify in the order)


94.052D/S

Manganese steel plate for art. 85.574 suitable for Defender® Top System (upper and lower hole).

Dimensions 139x423x2 mm

The item is supplied left or right-hand (specify in the order)


94.320

Manganese steel plate for art. 85.371/571 -v(hole Ø53)

Suitable for Defender® Basic

Dimensions 139x216x2 mm


94.053D/S

Manganese steel plate for art. 85.371/571, suitable with Defender® Top System

Dimensions 139x216x2 mm

The item is supplied left or right-hand (specify in the order)


94.350D/S

Manganese steel plate for art. 85.461 suitable for Defender® Top System.

Dimensions 188x315x2 mm

The item is supplied left or right-hand (specify in the order)



94.351D/S

Manganese steel plate for art. 86.560 - 86.460 suitable for Defender® Top System.
Dimensions 143x286x2 mm
 The item is supplied left or right-hand (specify in the order)



94.362D/S

Manganese steel plate for art. 54.Y915 with backset protection (lower hole Ø53) suitable for Defender® Top System (upper hole).
Dimensions 140x299x2 mm.
 The item is supplied left or right-hand (specify in the order)



94.354

Manganese steel plate for art. and 85.571 suitable for Defender® Top System suitable for 94.316
Dimensions 91x91x2 mm



94.367D/S

Manganese steel plate for art. 54Y915 with backset protection (lower hole Ø37) suitable for Defender® Top System (upper hole).
Dimensions 140x299x2 mm
 The item is supplied left or right-hand (specify in the order)



94.356

Manganese steel plate for art. and 86.410/530 suitable for Defender® Top System suitable for 94.355
Dimensions 122.5x270x2 mm



94.371D/S

Manganese steel plate for art. 36.258 and suitable for Defender® Top System
Dimensions 139x102x2 mm



94.359

Manganese steel plate for series 84.515 and suitable for Defender® Top System
Dimensions 124x213x2 mm



94.374

Manganese steel plate for art. 89.C8595 suitable for Defender® Top System
Dimensions 132x254x2 mm



94.360

Manganese steel plate for series 84.765 and suitable for Defender® Top System
Dimensions 124x299x2 mm



94.386D/S

Manganese steel plate for art. 87.440, suitable for Defender® Top System
Dimensions 143x410x2 mm
 The item is supplied left or right-hand (specify in the order)



94.361D/S

Manganese steel plate for series 54 Y915 suitable for Defender® Top System.
Dimensions 140x299x2 mm
 The item is supplied left or right-hand (specify in the order)



94.387

Manganese steel plate for art. 87.440 - (hole Ø53) Suitable for Defender® Basic
Dimensions 143x395x2 mm


94.389

Manganese steel plate for art. 87.440 - (hole Ø 53)
 Suitable for Defender® Basic
 Suitable for 94.388
Dimensions 122.5 x 365 x 2 mm


94395

Manganese steel plate for 898FW series
 Suitable for Defender® Top System.
Dimensions mm 120x284x2


94.390D/S

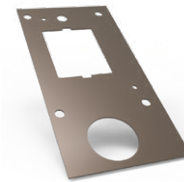
Manganese steel plate for art. 87.440
 Suitable for Defender® Top System
 Suitable for 94.388
Dimensions 122.5 x 365 x 2 mm
 The item is supplied left or right hand (specify in the order)


94396

Manganese steel plate for 898FW series
 Suitable for Defender® Ø50.
Dimensions 120x284x2 mm


94.391

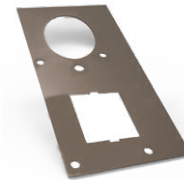
Manganese steel plate
 for art. 87.430/86410/86510 (hole Ø53)
 Suitable for Defender® Basic
Dimensions 143x321x2 mm


94421

Manganese steel plate
 for art. 3D587/588/597/598 - (hole Ø53)
 Suitable for Defender®
Dimensions 139x276x2 mm


94.392

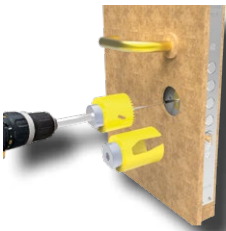
Manganese steel plate
 for art. 87.430/86410/86510 - (hole Ø53)
 Suitable for Defender® Basic
Dimensions 122,5x270x2 mm


94423

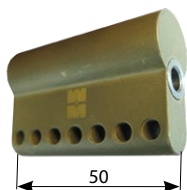
Manganese steel plate
 for art. 3D915/917/925/927 - (hole Ø53)
 Suitable for a Defender®
Dimensions 139x276x2 mm



Defender® Installation.


98AC10

Drilling kit including:
 1 hole saw Ø 54 with quick coupling
 3 blades for drilling plastic or wood
 1 high resistance Ø 54 hole saw with quick coupling multiple blade for drilling steel
 1 hexagonal shank with cylindrical shaft diameter 5 mm
 1 "template" cylinder with guide hole diameter 5.1 mm


98AC09_5/6

Special brass cylinder
 to be used as drilling template
 Length 50 mm
 Guide hole diameter 5.1 or 6.1
 Specify when ordering.

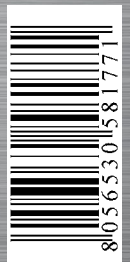

98AC11

Hexagonal shank
 with cylindrical shaft diameter 5 mm.



safeguarding your security

Mottura Serrature di Sicurezza SpA reserves the right to modify the characteristics of the products represented here at any time and without prior notice. The finish colours of the cylinders and keys may vary slightly from the actual products due to the photographic reproduction and printing processes.



PT190543ENG a_021492

Mottura Serrature di Sicurezza S.p.A.
Strada Antica di Francia, 34 | 10057 Sant'Ambrogio (TO) | www.mottura.it

COMPANY WITH
QUALITY SYSTEM
CERTIFIED BY DNV GL
= ISO 9001 =

COMPANY WITH
SAFETY MANAGEMENT SYSTEM
CERTIFIED BY DNV GL
= ISO 45001 =